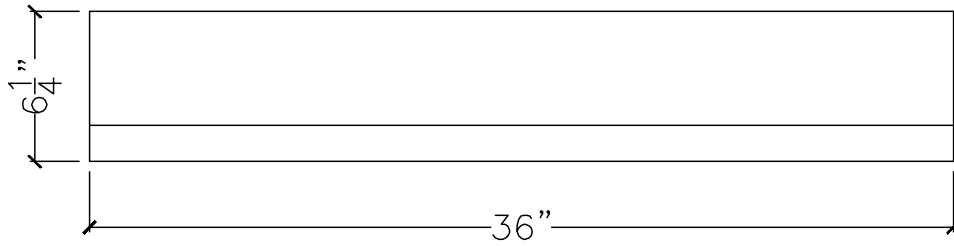
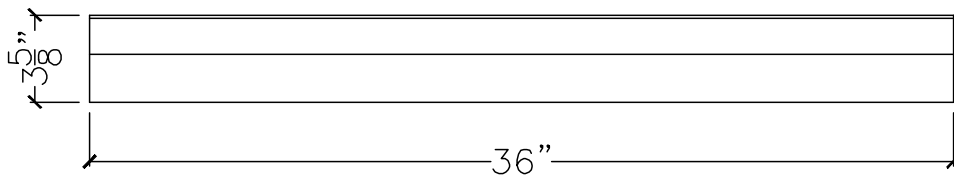


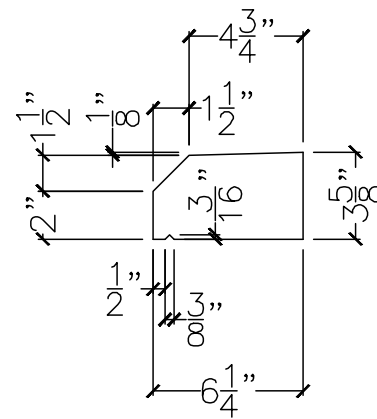
CUSTOMER:	
JOB:	MOLD: WT-156 36"ST.
BAY#: 341	STONE COLOR:
DATE:	SCALE: 1 1/2" = 12" NEED:



TOP VIEW



FRONT VIEW



SECTION VIEW