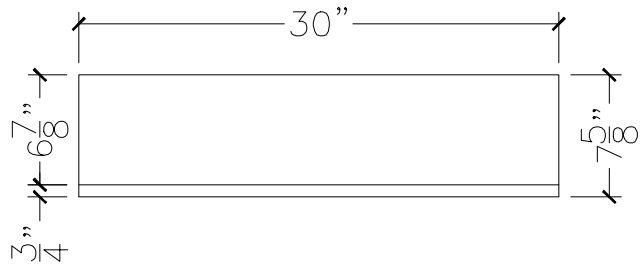
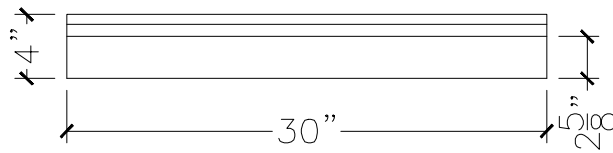


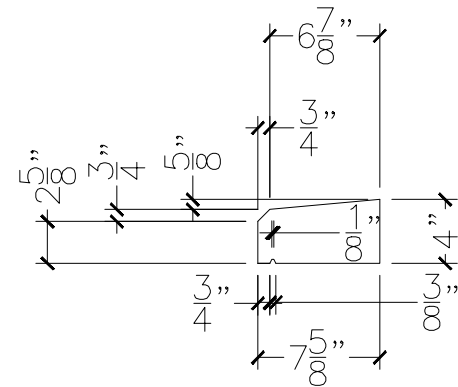
| | |
|-------------|---------------------|
| CUSTOMER: | |
| JOB: | MOLD: WT-144 30" ST |
| BAY#: 173-A | STONE COLOR: |
| DATE: | SCALE: 1"=12" NEED: |



TOP VIEW



FRONT VIEW



SECTION VIEW