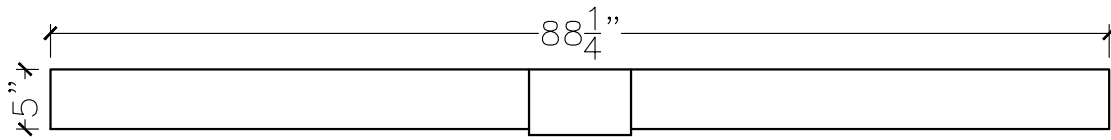
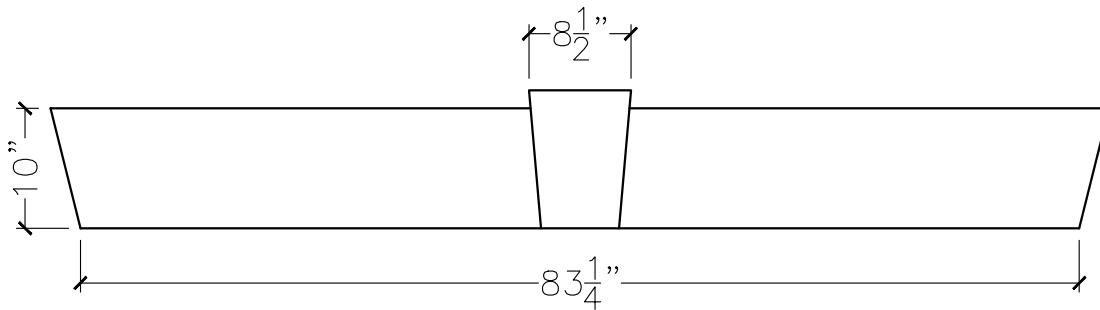


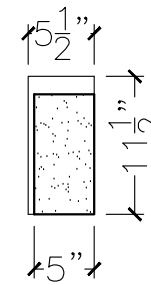
JOB:	MOLD: WL-6 83 $\frac{1}{4}$ " O.B.
BAY# 178	STONE COLOR:
DATE:	SCALE: $\frac{3}{4}$ " = 12" NEED:



TOP VIEW



FRONT VIEW



SECTION VIEW