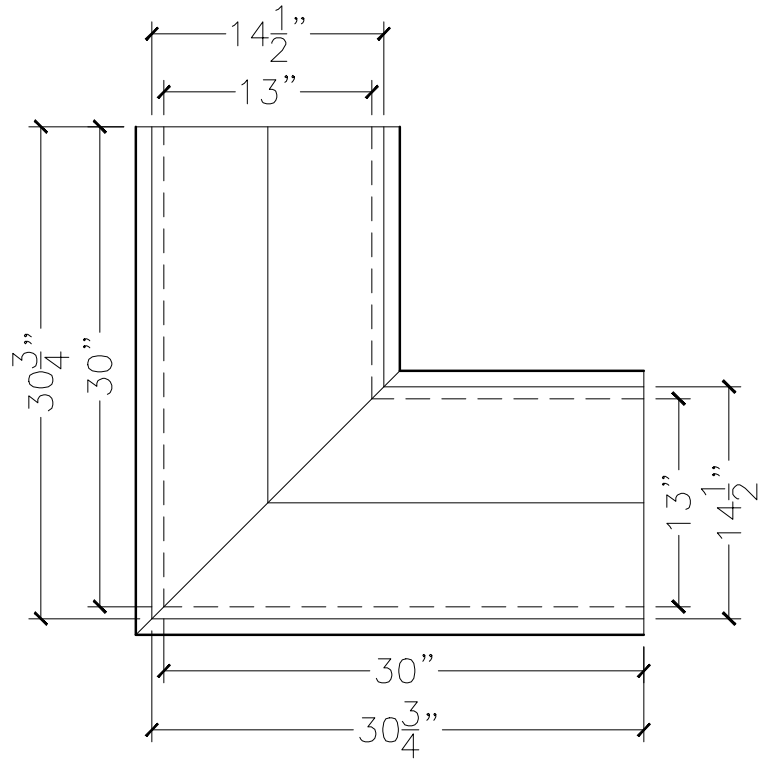
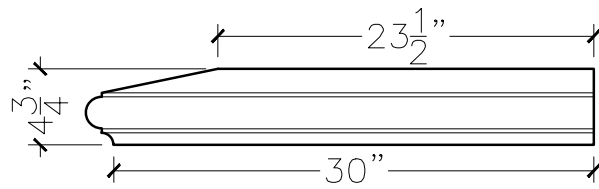


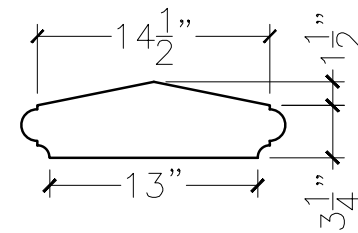
JOB:	MOLD: WC-8 13"W 90°
BAY#: 53-A	STONE COLOR:
DATE:	SCALE: 1"=12" NEED:



TOP VIEW



FRONT VIEW



SECTION VIEW