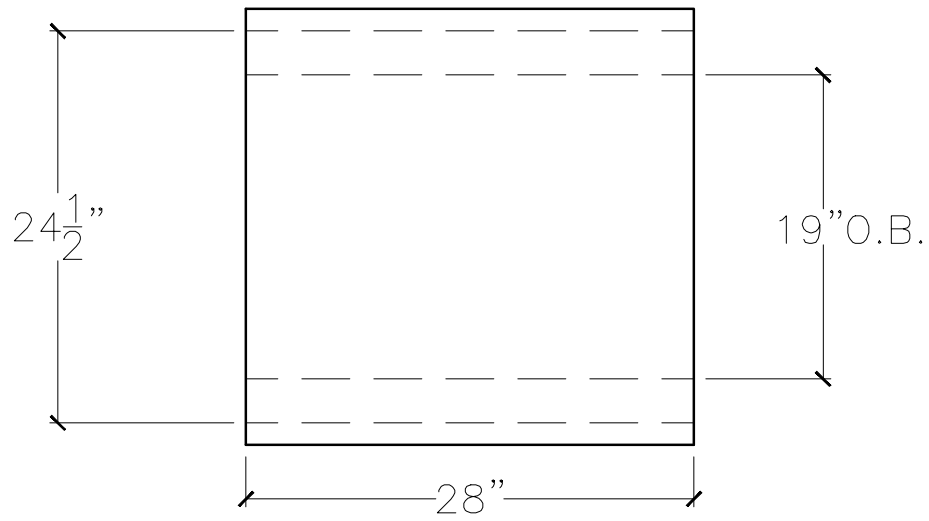
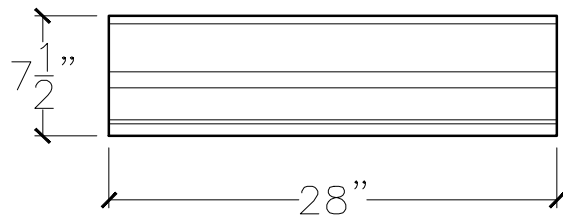


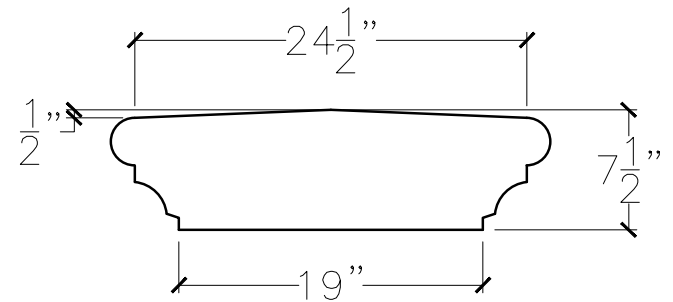
JOB:	MOLD: WC-73 28" ST.
BAY#: 316-B	STONE COLOR:
DATE:	SCALE: 1"=12"      NEED:



TOP VIEW



FRONT VIEW



SECTION VIEW