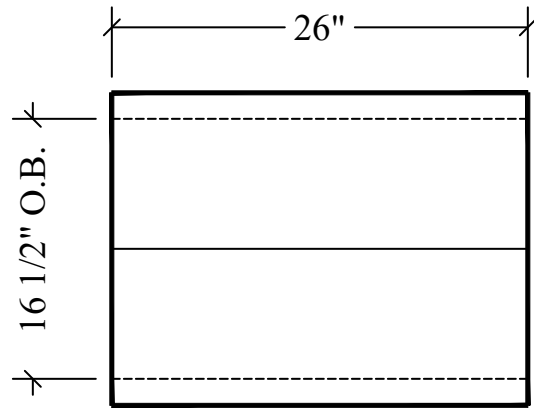
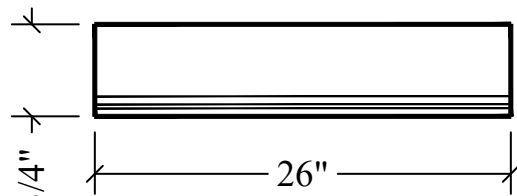


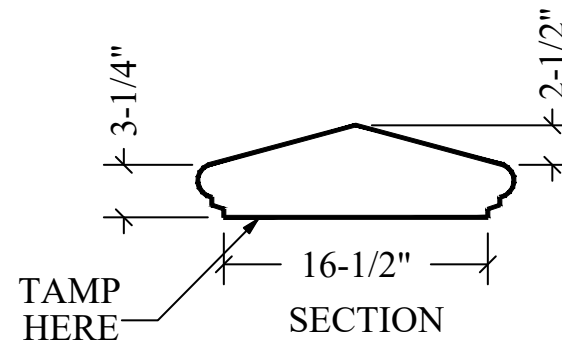
JOB:	MOLD: WC-5 16 1/2" WIDE x 26" LONG
BAY #: 191-A	STONE COLOR: NEED:
DATE:	SCALE: 1" = 12"



TOP VIEW



FRONT VIEW



SECTION