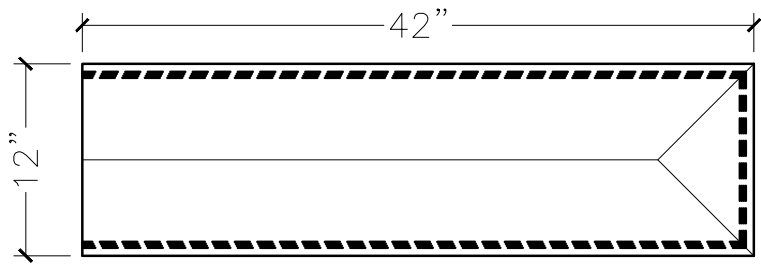
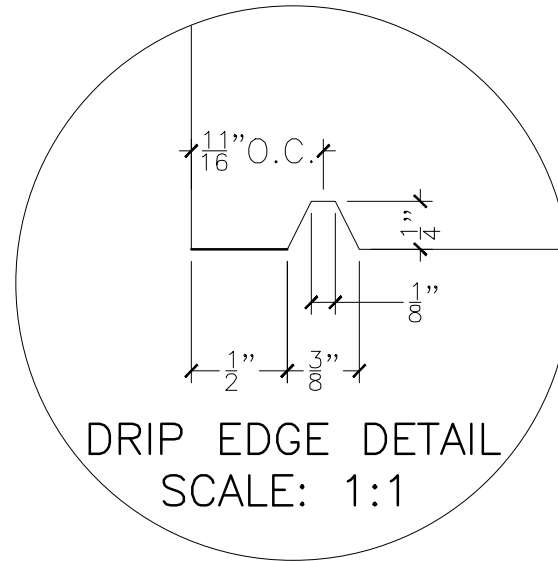


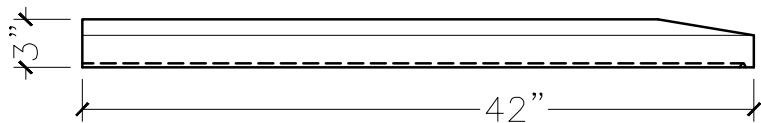
JOB:	MOLD: WC-213 12"W 42" wEND
BAY#: 272-B	STONE COLOR:
DATE:	SCALE: 1"=12" NEED:



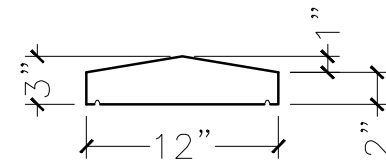
TOP VIEW



DRIP EDGE DETAIL
SCALE: 1:1



FRONT VIEW



SECTION VIEW