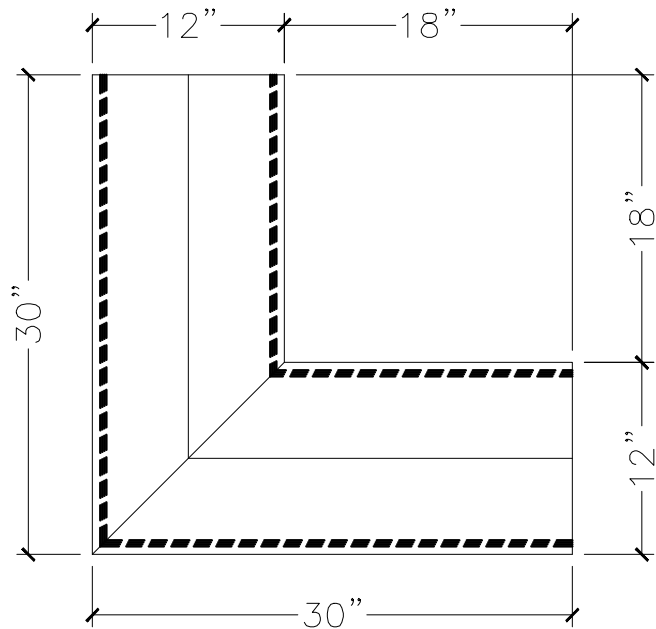
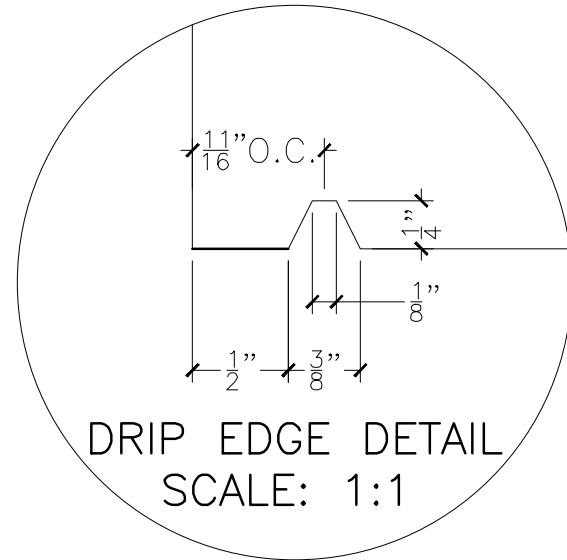


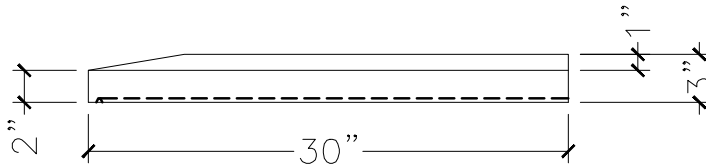
JOB:	MOLD: WC-213 30"X30" 90°
BAY#: 272-B	STONE COLOR:
DATE:	SCALE: 1"=12"      NEED:



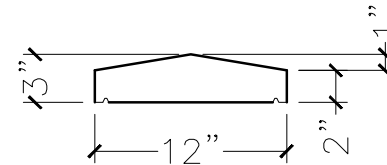
TOP VIEW



DRIP EDGE DETAIL  
SCALE: 1:1



FRONT VIEW



SECTION VIEW