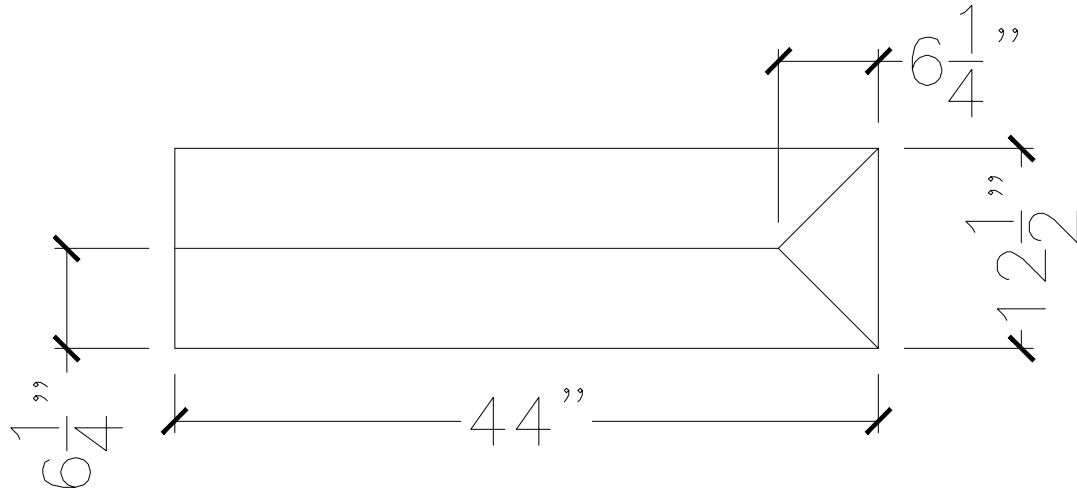
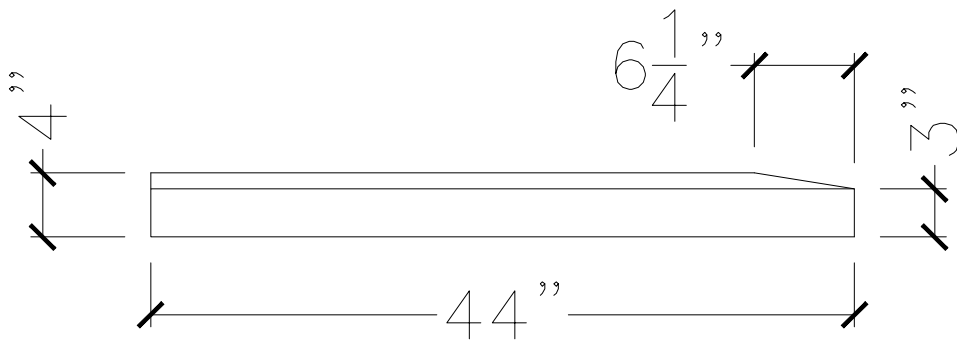


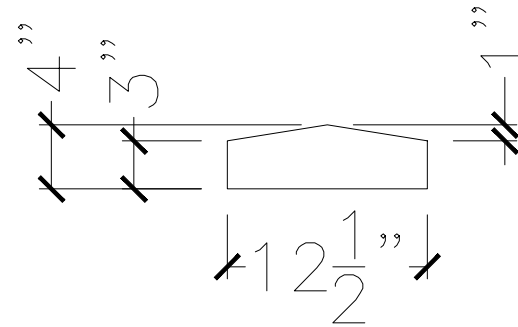
JOB:	MOLD: WC-192 12 $\frac{1}{2}$ "W 44"END	
BAY#: 175-B	STONE COLOR:	
DATE:	SCALE: 1"=12"	NEED:



TOP VIEW



FRONT VIEW



SECTION VIEW