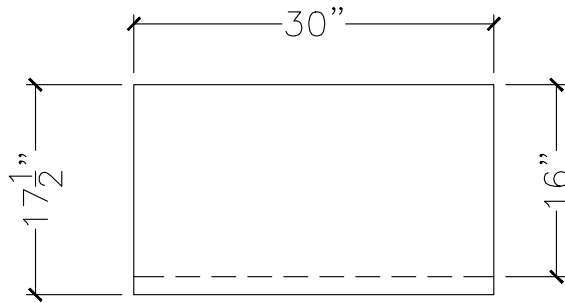
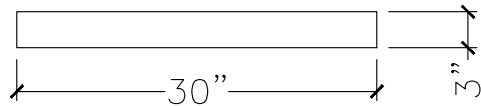


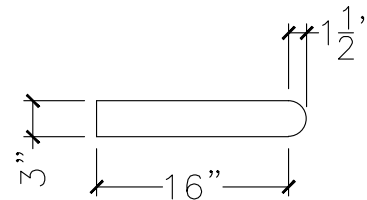
CUSTOMER:	
JOB:	MOLD: WC-186 16"W 30"ST.
BAY#: 347-A	STONE COLOR:
DATE:	SCALE: $\frac{3}{4}"=12"$ NEED:



TOP VIEW



FRONT VIEW



SECTION VIEW