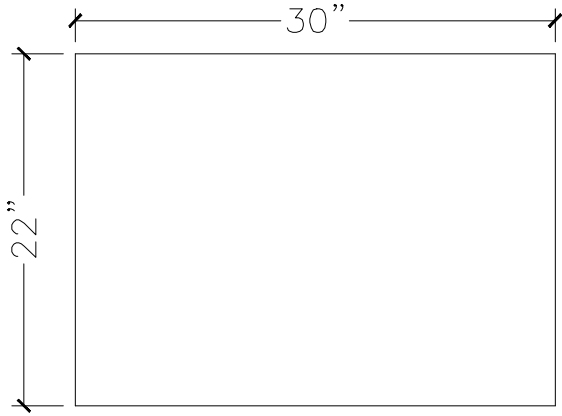
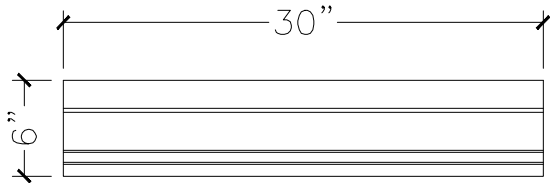


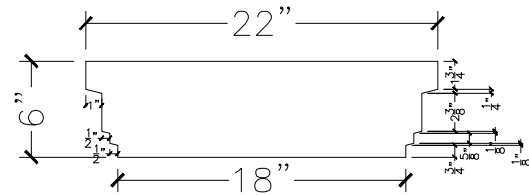
CUSTOMER:	
JOB:	MOLD: WC-183 30" ST.
BAY#: 58-A	STONE COLOR:
DATE:	SCALE: 1"=12" NEED:



TOP VIEW



FRONT VIEW



SECTION VIEW