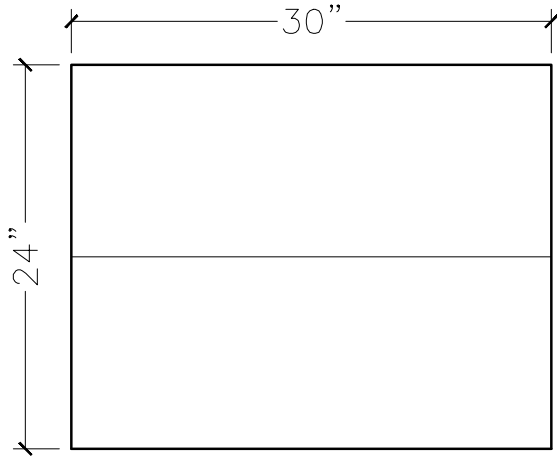
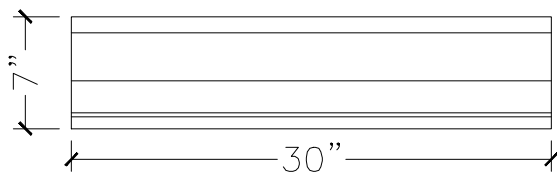


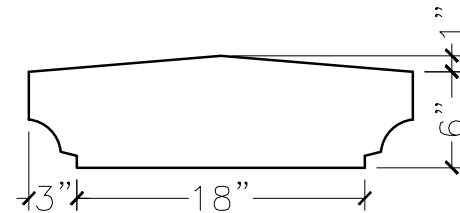
CUSTOMER:	
JOB:	MOLD: WC-171 18"W 30"ST
BAY#: 182-A	STONE COLOR:
DATE:	SCALE: 1"=12" NEED:



TOP VIEW



FRONT VIEW



SECTION VIEW