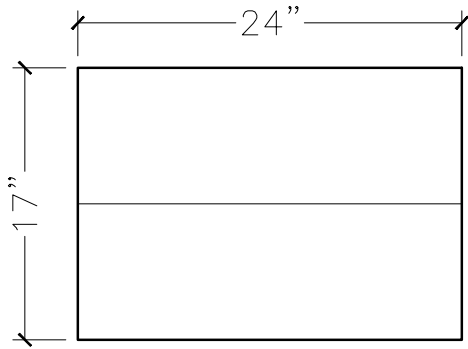
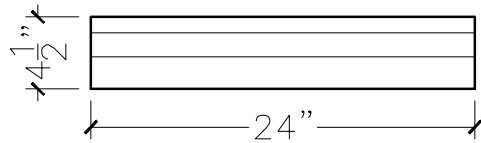


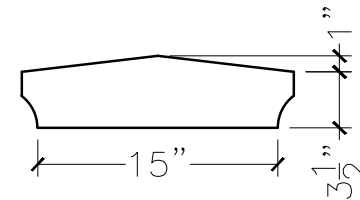
|             |                          |
|-------------|--------------------------|
| CUSTOMER:   |                          |
| JOB:        | MOLD: WC-162 15"W 24"ST  |
| BAY#: 181-B | STONE COLOR:             |
| DATE:       | SCALE: 1"=12"      NEED: |



TOP VIEW



FRONT VIEW



SECTION VIEW