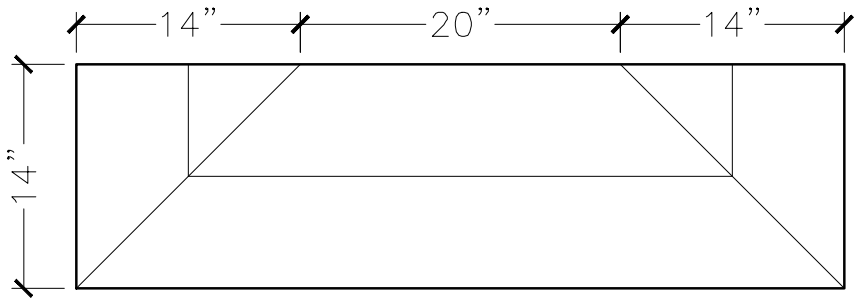
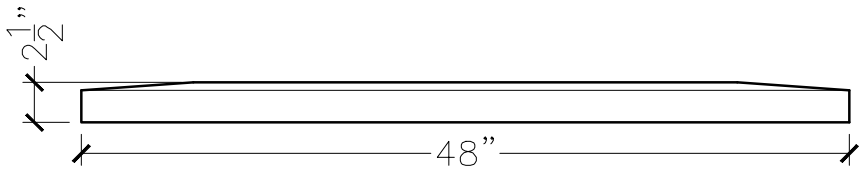


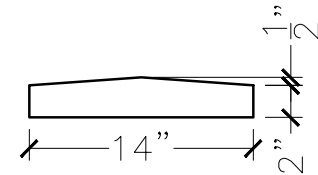
JOB:	MOLD: WC-156 14"W 48"DBL. RETURN
BAY#: 181-A	STONE COLOR:
DATE:	SCALE: 1"=12"      NEED:



TOP VIEW



FRONT VIEW



SECTION VIEW