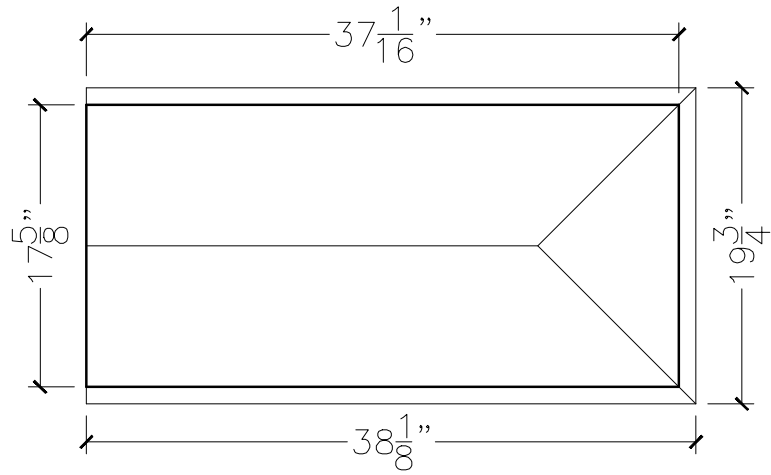
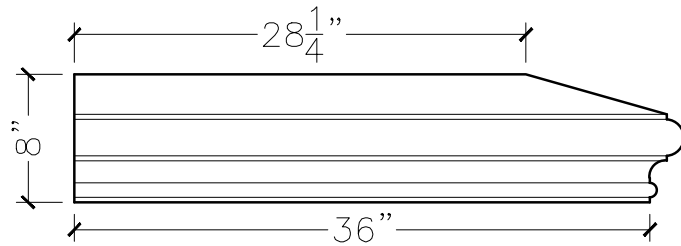


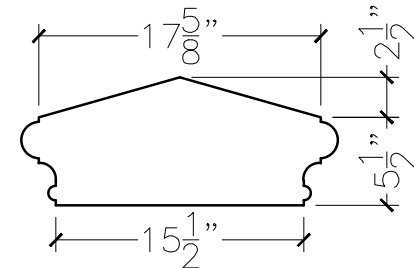
JOB:	MOLD: WC-135 15½"W 36" wEND
BAY#: 65-A	STONE COLOR:
DATE:	SCALE: 1"=12" NEED:



TOP VIEW



FRONT VIEW



SECTION VIEW