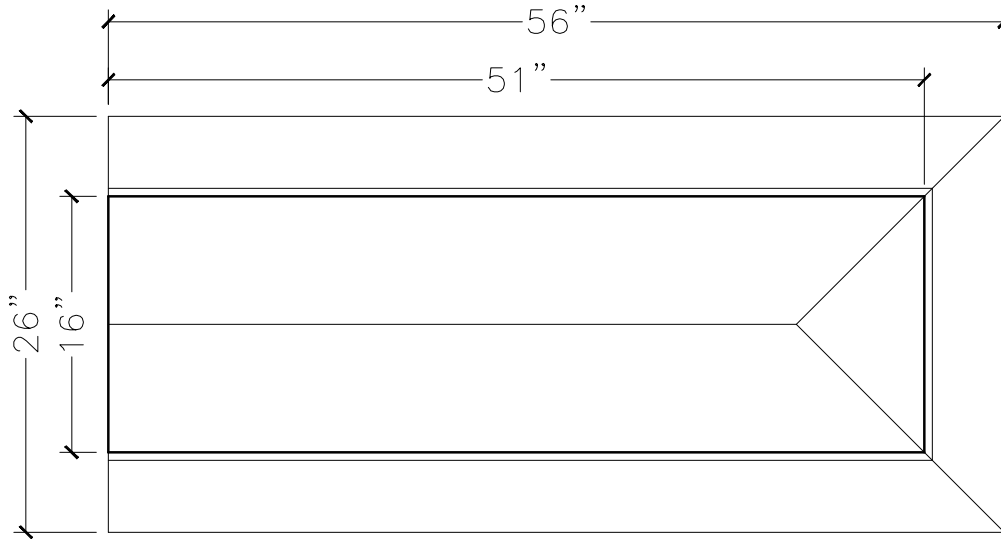
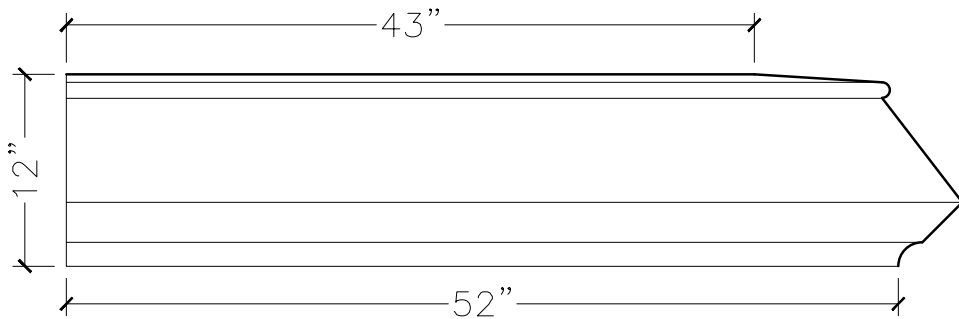


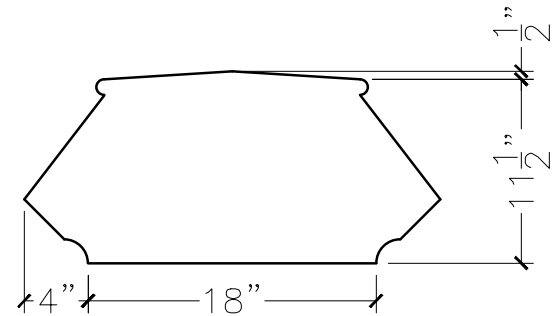
JOB:	MOLD: WC-132 18"W 52" wEND
BAY#: STORAGE BUILDING	STONE COLOR:
DATE:	SCALE: 1"=12" NEED:



TOP VIEW



FRONT VIEW



SECTION VIEW