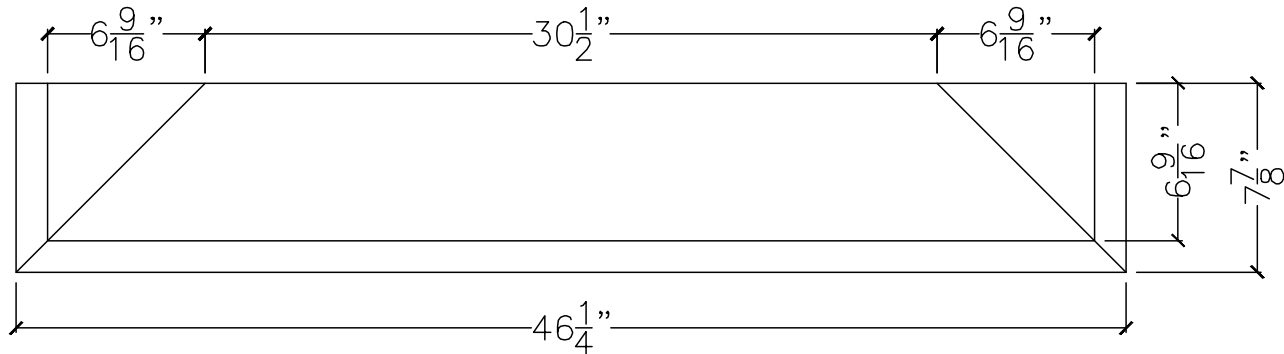
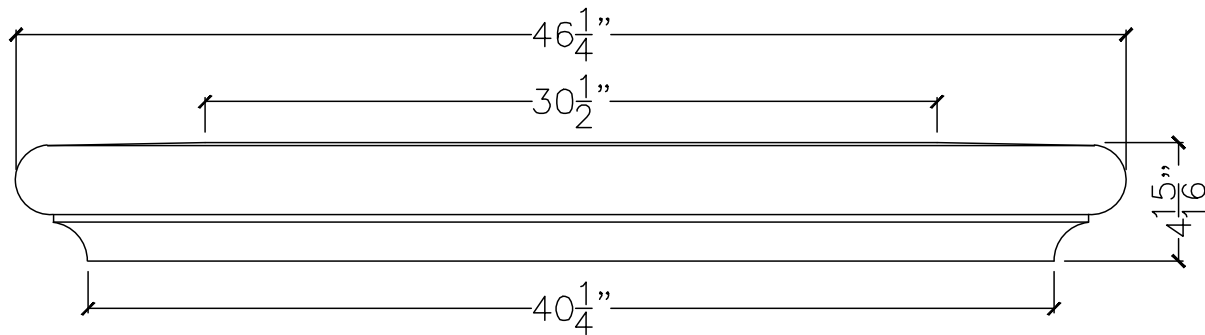


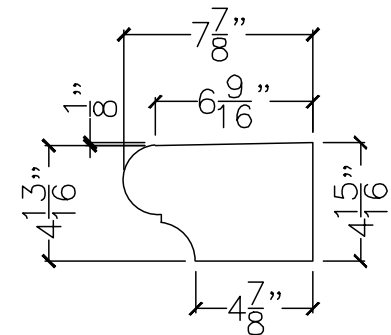
CUSTOMER:	
JOB:	MOLD: SILL-86 40 $\frac{1}{4}$ " DBL. RETURN
BAY#: 33-A	STONE COLOR:
DATE:	SCALE: 1 $\frac{1}{2}$ " = 12" NEED:



TOP VIEW



FRONT VIEW



SECTION VIEW