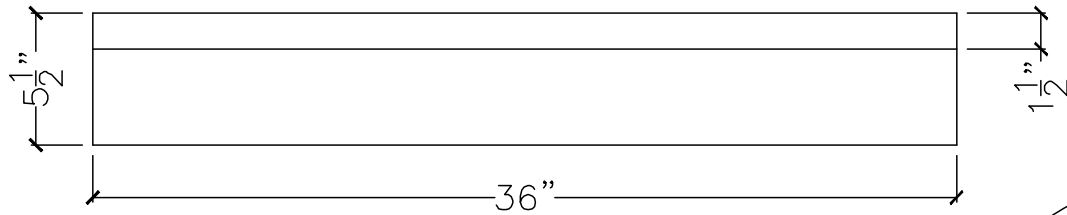
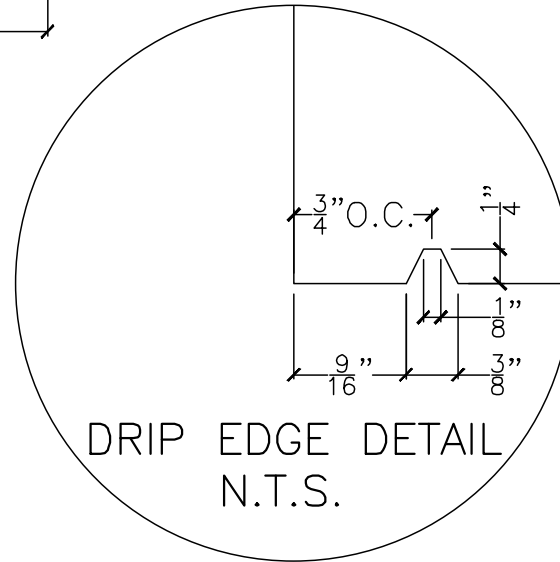


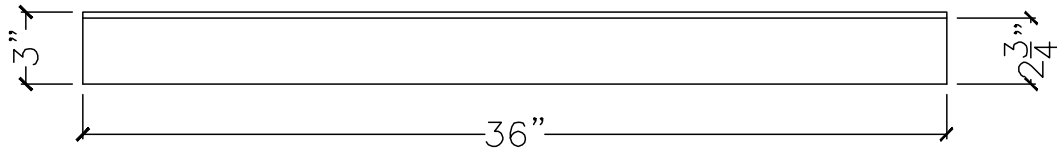
CUSTOMER:	
JOB:	MOLD: SILL-82 36"ST.
BAY#: 143-B	STONE COLOR:
DATE:	SCALE: 1 1/2" = 12" NEED:



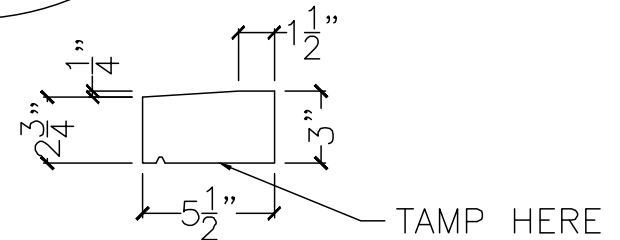
TOP VIEW



DRIP EDGE DETAIL  
N.T.S.



FRONT VIEW



SECTION VIEW