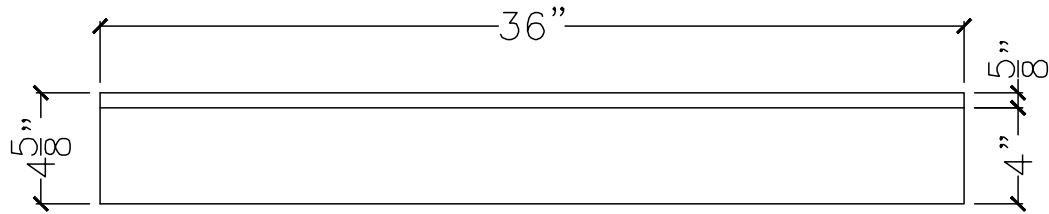
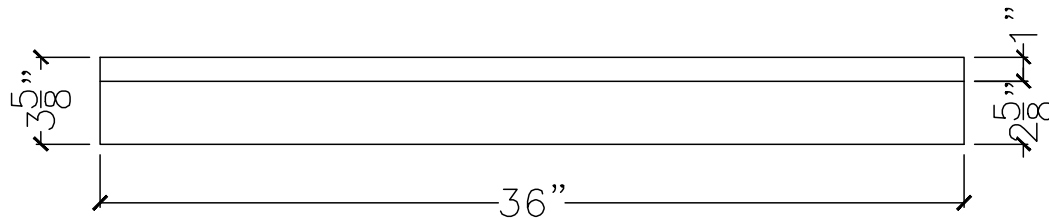


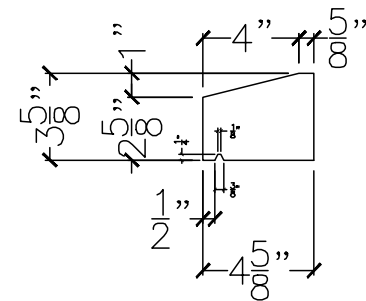
CUSTOMER:	
JOB:	MOLD: SILL-73 36"ST.
BAY#: 169-A	STONE COLOR:
DATE:	SCALE: 1 1/2" = 12" NEED:



TOP VIEW



FRONT VIEW



SECTION VIEW