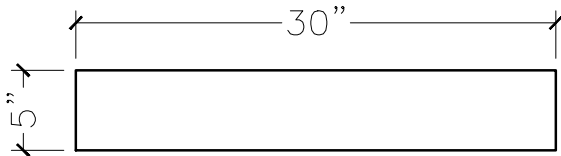
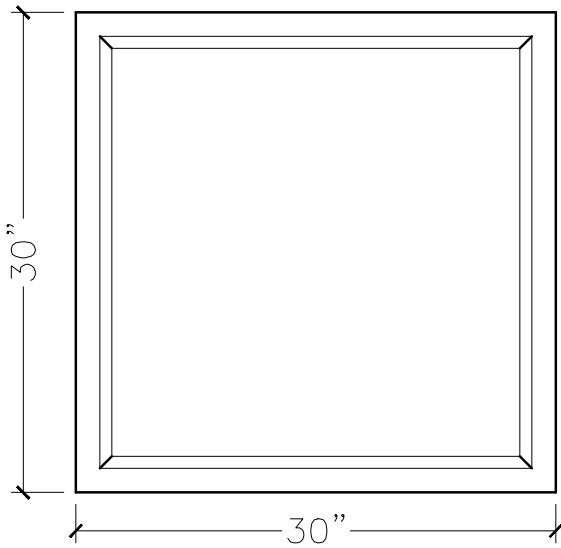


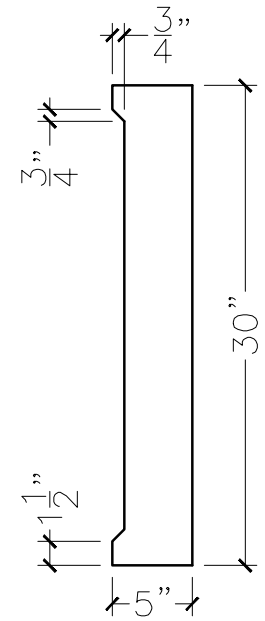
JOB:	MOLD: RB-71	
BAY#: 329-B	STONE COLOR:	
DATE:	SCALE: 1"=12"	NEED:



TOP VIEW



FRONT VIEW



SECTION VIEW