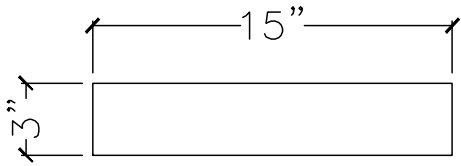
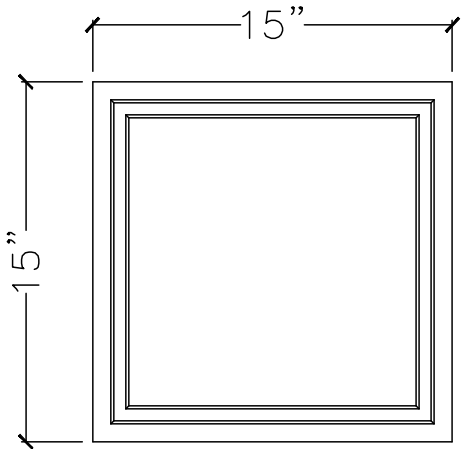


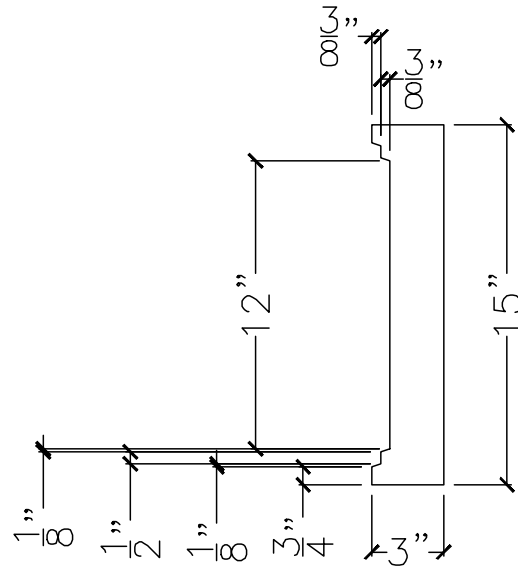
CUSTOMER:	
JOB:	MOLD: RB-113
BAY# 329-B	STONE COLOR:
DATE:	SCALE: 1½"=12" NEED:



TOP VIEW



FRONT VIEW



SECTION VIEW