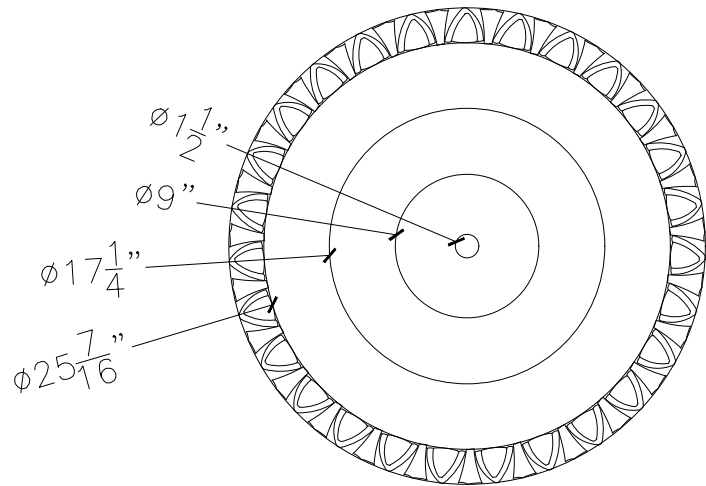
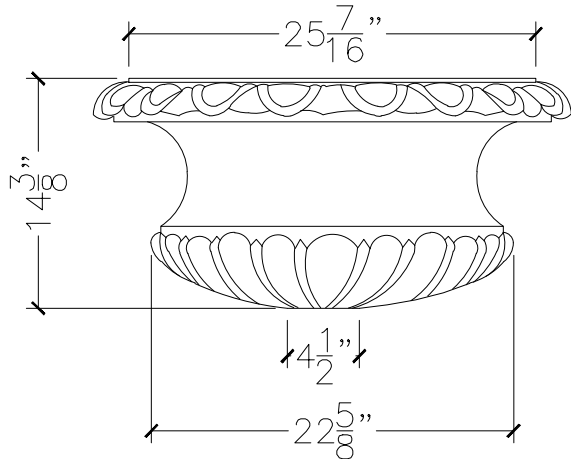


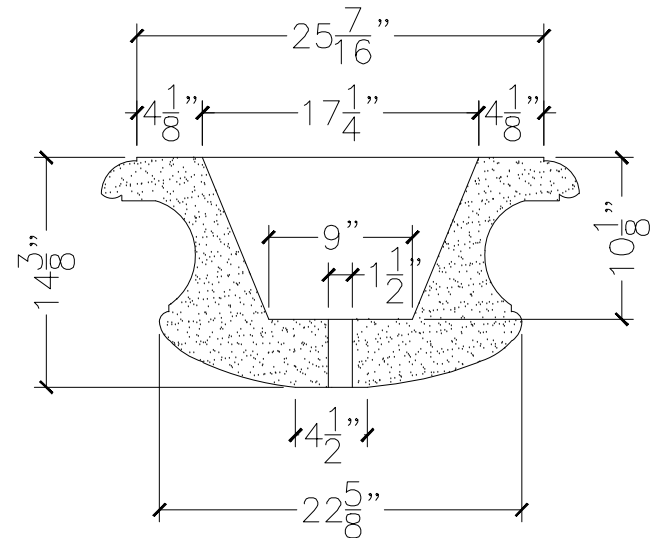
CUSTOMER:	
JOB:	MOLD: PLANTER-1300 (FOR PB-8)
BAY#: 121	STONE COLOR:
DATE:	SCALE: 1"=12" NEED:



TOP VIEW



FRONT VIEW



SECTION VIEW