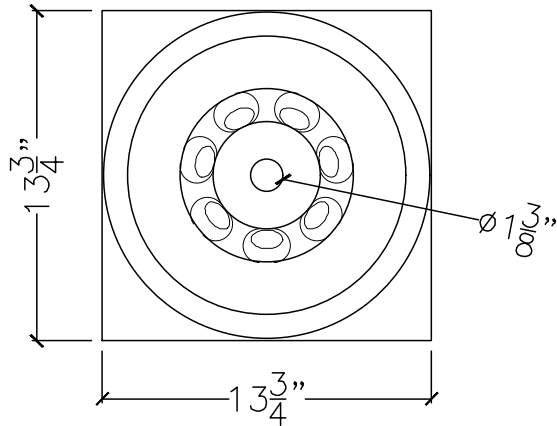
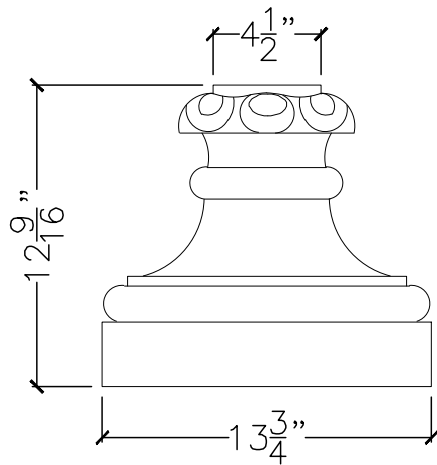


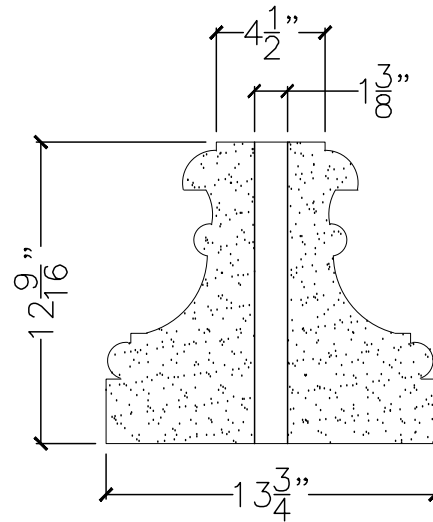
CUSTOMER:	
JOB:	MOLD: PB-8 (FOR PLANTER-1300)
BAY#: 121	STONE COLOR:
DATE:	SCALE: $1\frac{1}{2}'' = 12''$ NEED:



TOP VIEW



FRONT VIEW



SECTION VIEW