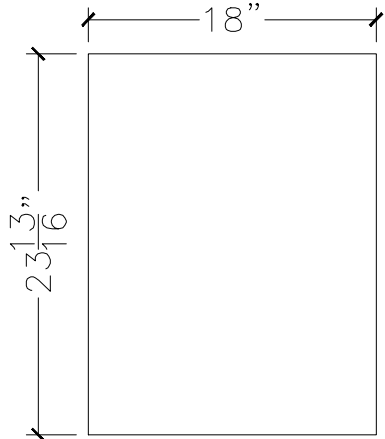
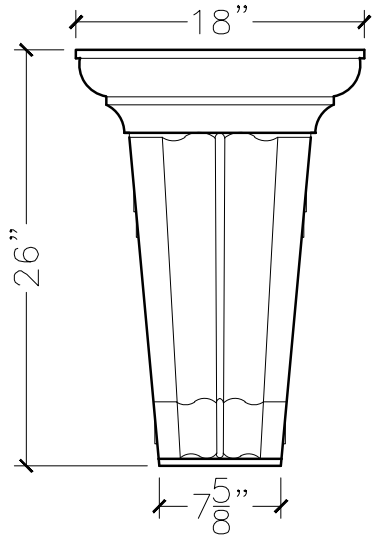


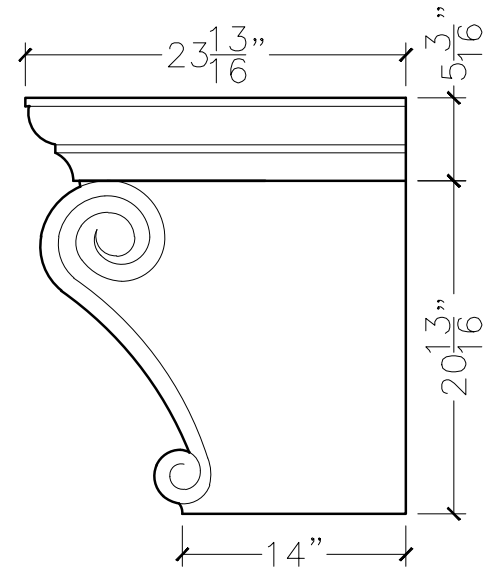
JOB:	MOLD: OK-12
BAY#: 64-A	STONE COLOR:
DATE:	SCALE: 1"=12" NEED:



TOP VIEW



FRONT VIEW



SECTION VIEW