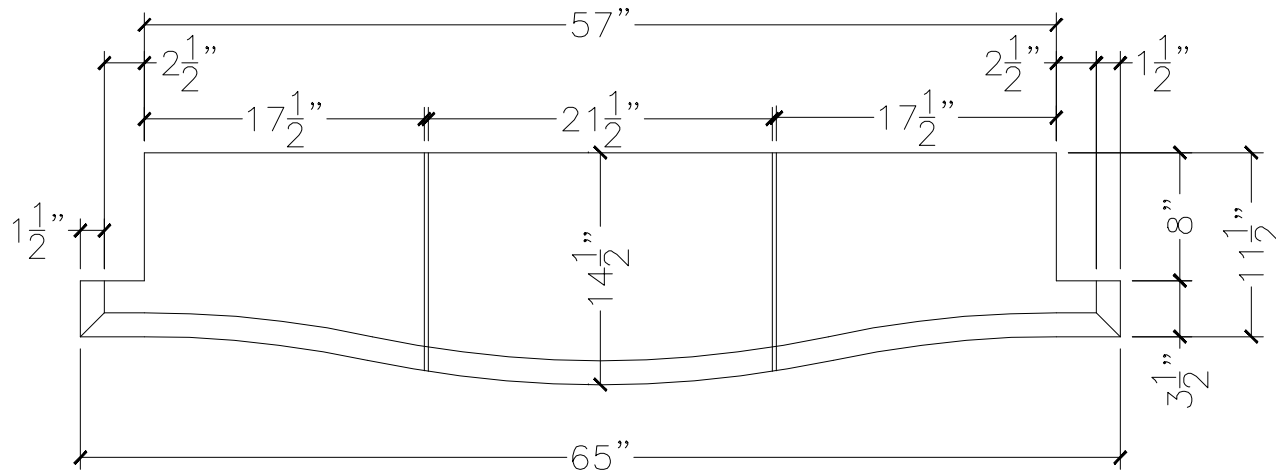
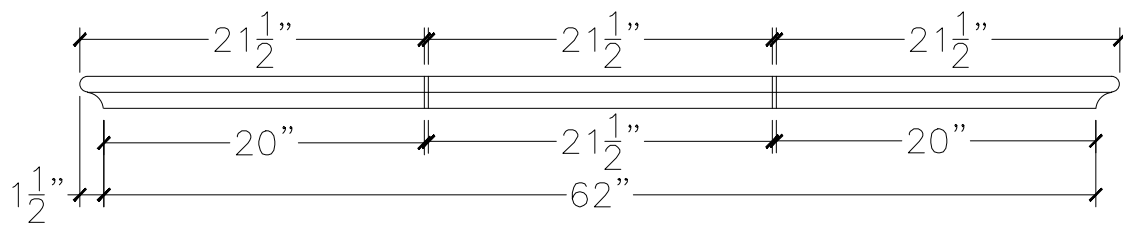


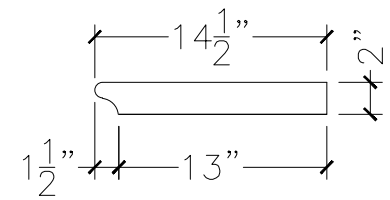
CUSTOMER:	
JOB:	MOLD: OA-44
BAY#: 257	STONE COLOR:
DATE:	SCALE: 1"=12" NEED:



TOP VIEW



FRONT VIEW



SECTION VIEW