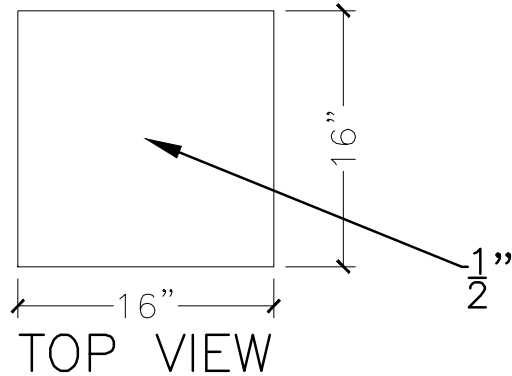


CUSTOMER:	
JOB:	MOLD: NP-1700 PART B
BAY#: 278-B	STONE COLOR:
DATE:	SCALE: 1"=12" NEED:



INSERT IN FOR PICKING UP

