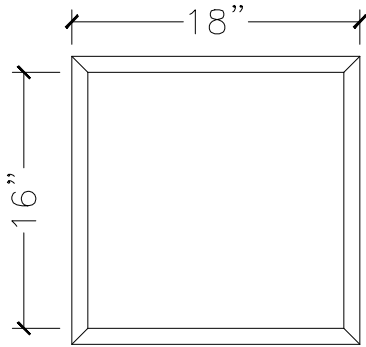
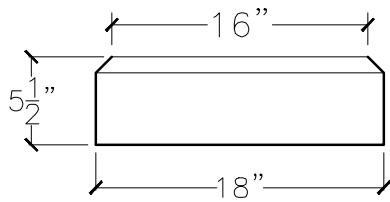


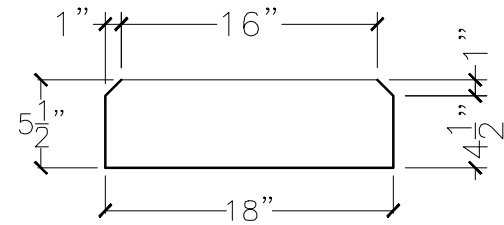
CUSTOMER:	
JOB:	MOLD: NP-1700 PART A
BAY#: 278-B	STONE COLOR:
DATE:	SCALE: 1"=12" NEED:



TOP VIEW



FRONT VIEW



SECTION VIEW