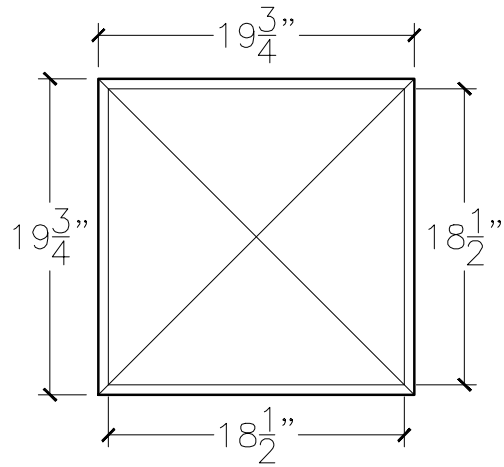
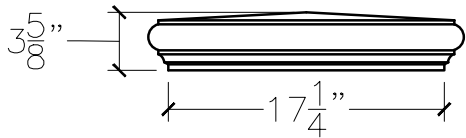


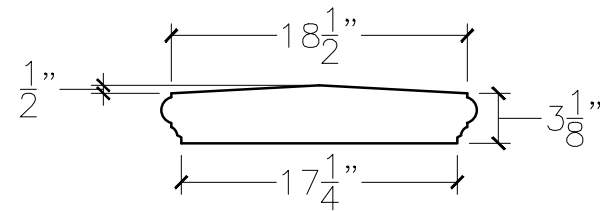
JOB:	MOLD: NP-1500 CAP(CC-228)
BAY#: 212-B	STONE COLOR:
DATE:	SCALE: 1"=12" NEED:



TOP VIEW



FRONT VIEW



SECTION VIEW