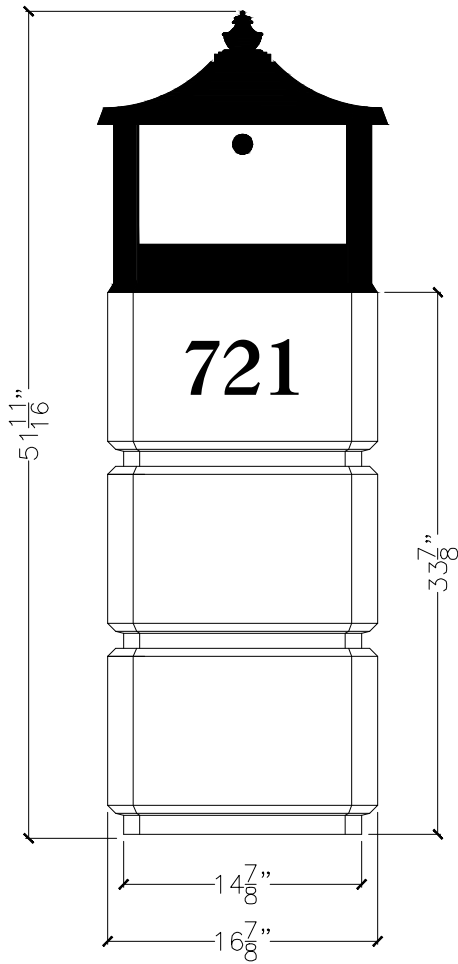
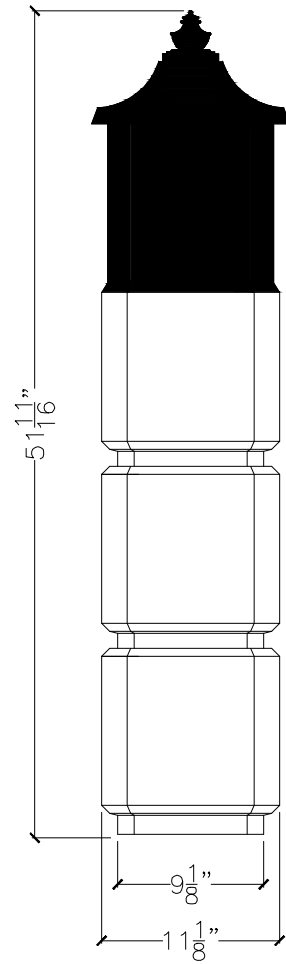


|            |                        |
|------------|------------------------|
| CUSTOMER:  |                        |
| JOB:       | MOLD: MD-900           |
| BAY#: 16-A | STONE COLOR:           |
| DATE:      | SCALE: 1"=12"    NEED: |



FRONT VIEW



END VIEW