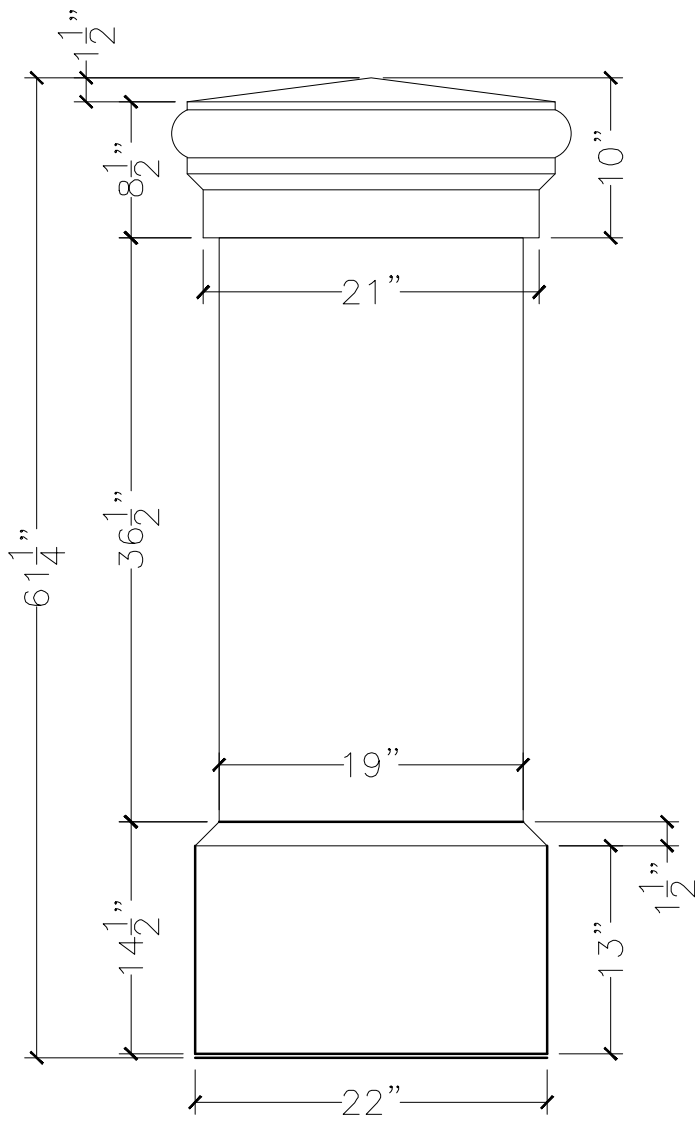
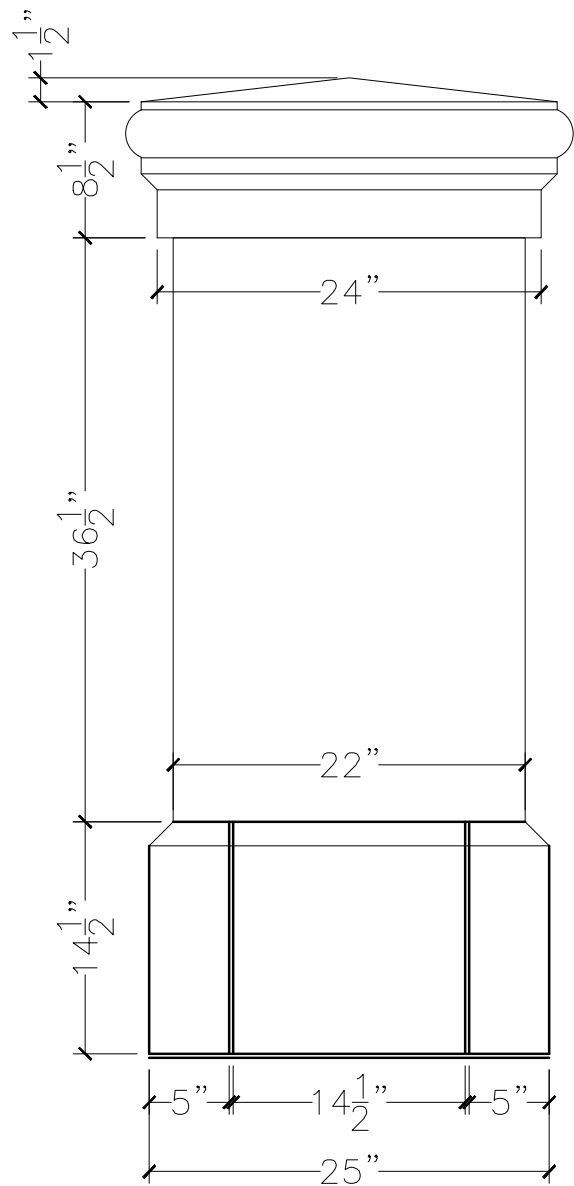


CUSTOMER:	
JOB:	MOLD: MD-1100
BAY#: 86, 281-B	STONE COLOR:
DATE:	SCALE: 1"=12" NEED:



FRONT VIEW



SIDE VIEWS