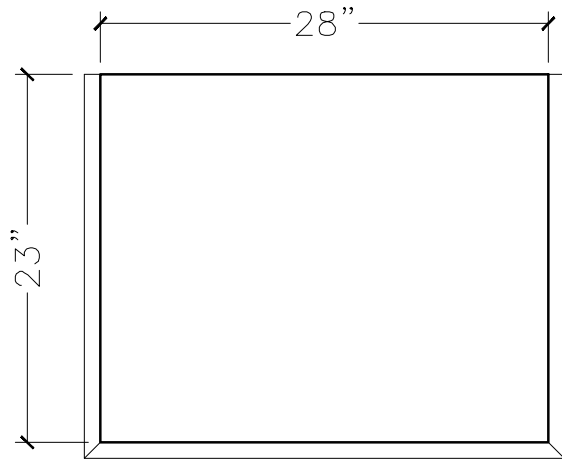
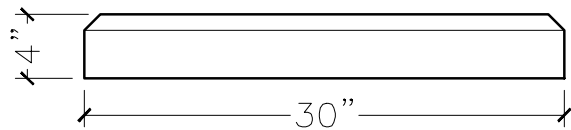


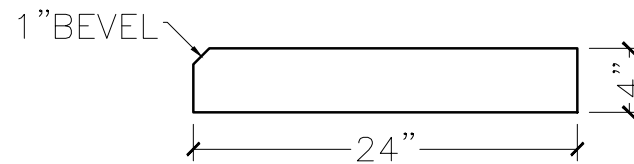
JOB:	MOLD: HEARTH-500
BAY#: 26-A	STONE COLOR:
DATE:	SCALE: 1"=12" NEED:



TOP VIEW



FRONT VIEW



SECTION VIEW