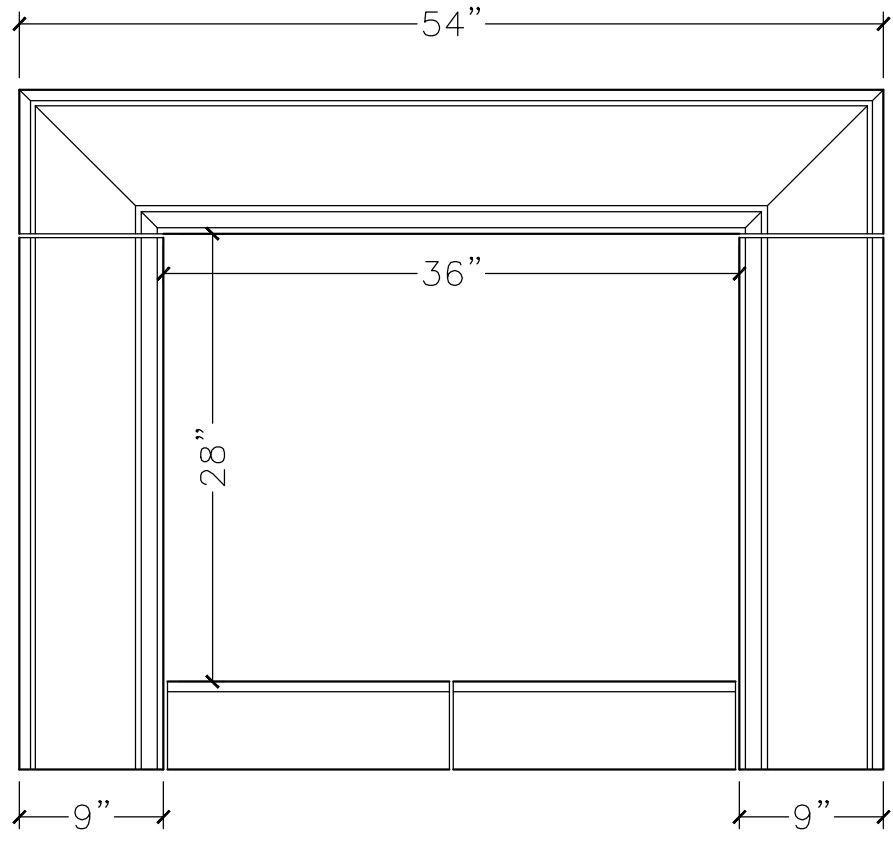
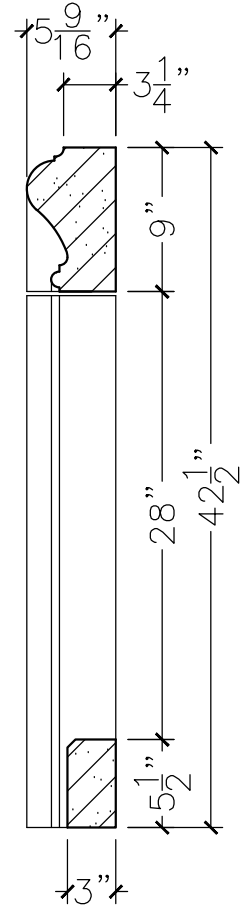


JOB:	MOLD: FS-30, 36" WIDE
BAY#: 56	STONE COLOR:
DATE:	SCALE: 1"=12"      NEED:



FRONT VIEW



SECTION