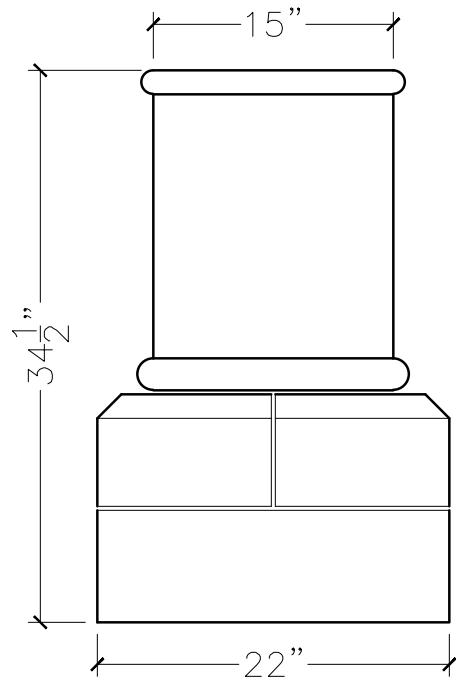
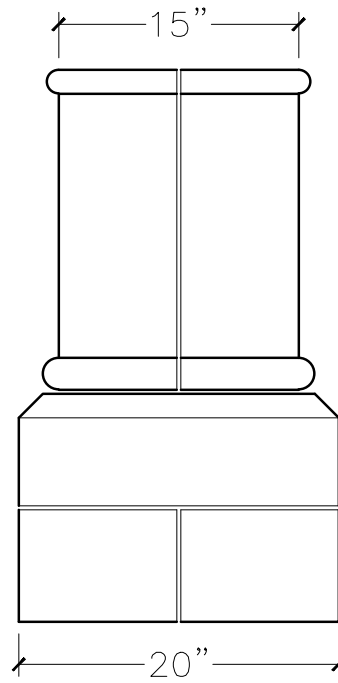


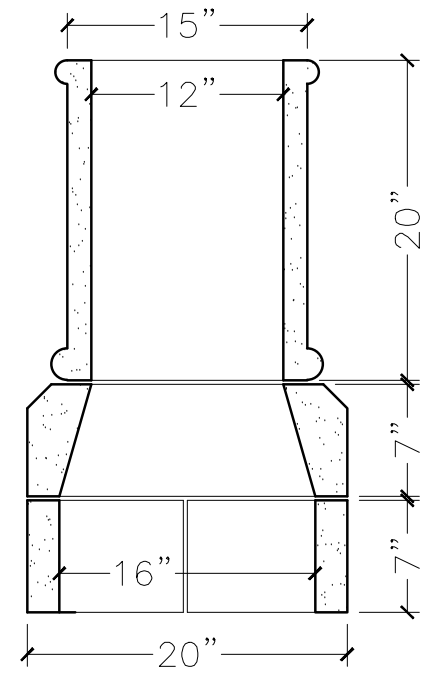
JOB:	MOLD: CHIMNEY TOP-300
BAY#: 17-B	STONE COLOR:
DATE:	SCALE: 1"=12" NEED:



FRONT VIEW



SIDE VIEW



SECTION VIEW