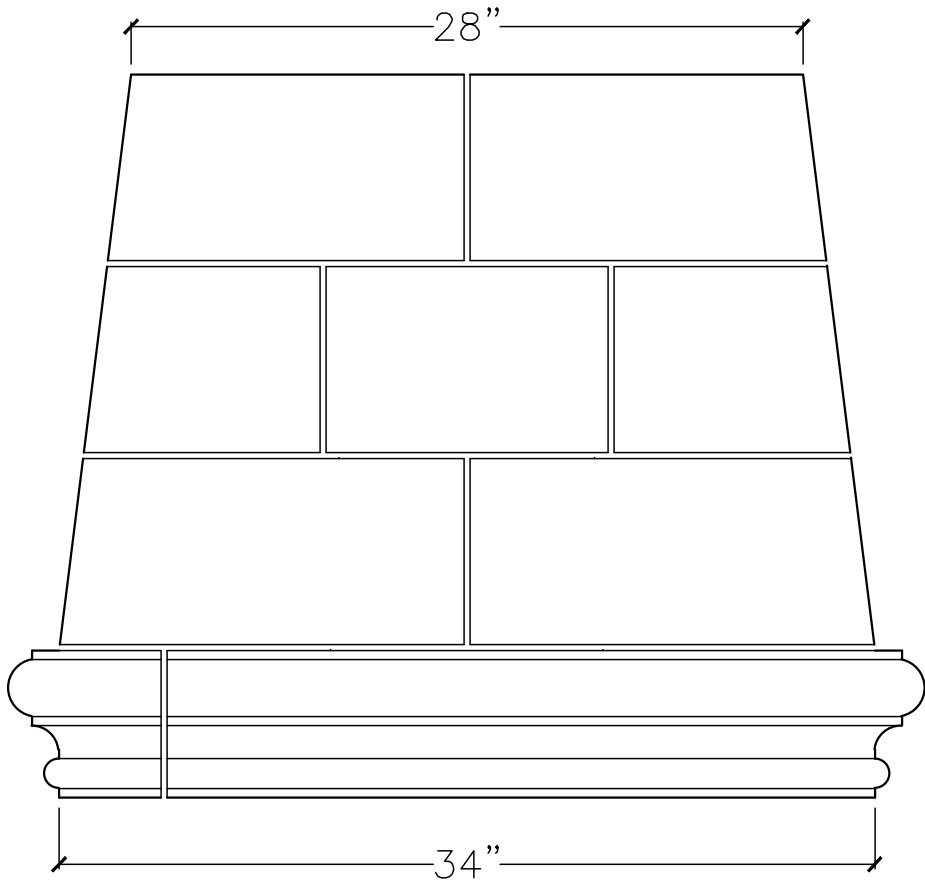
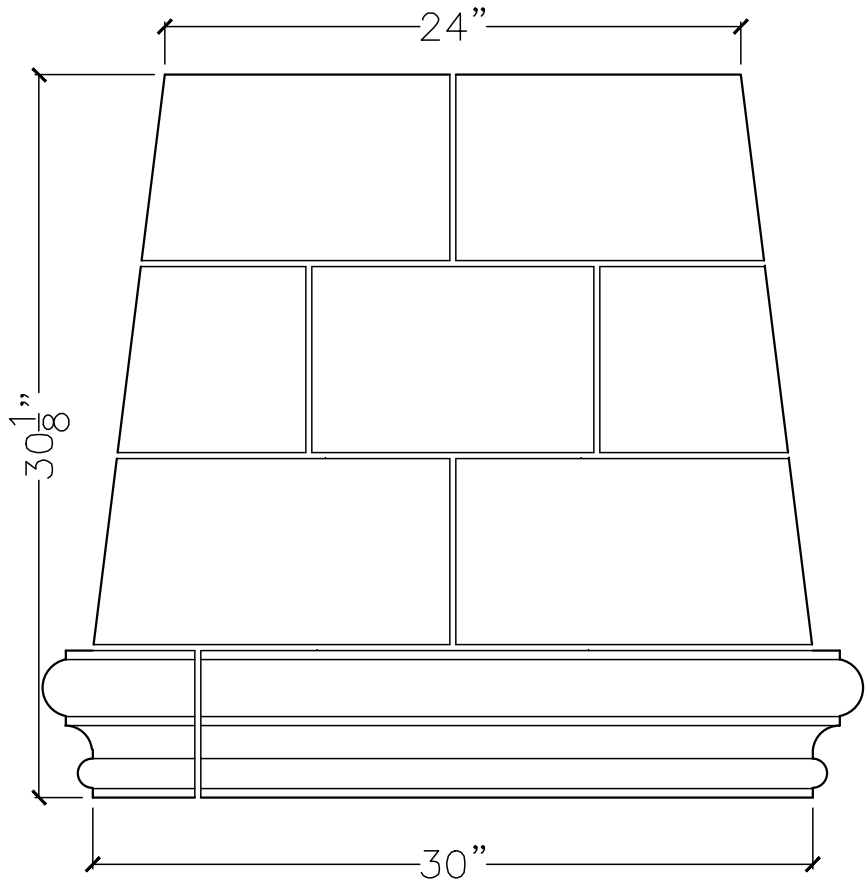


CUSTOMER:	
JOB:	MOLD: CHIMNEY TOP-100
BAY# 17-B	STONE COLOR:
DATE:	SCALE: $1\frac{1}{2}''=12''$ NEED:



FRONT VIEW



SIDE VIEW