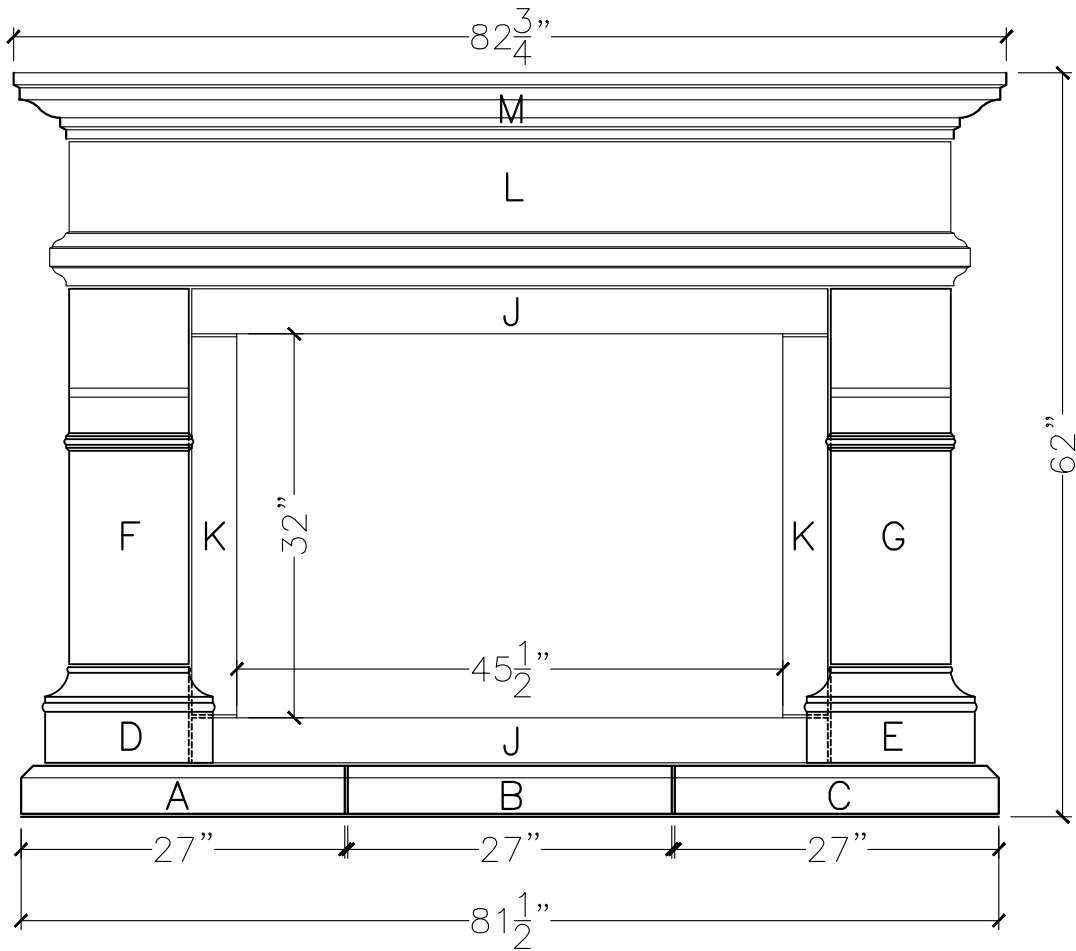
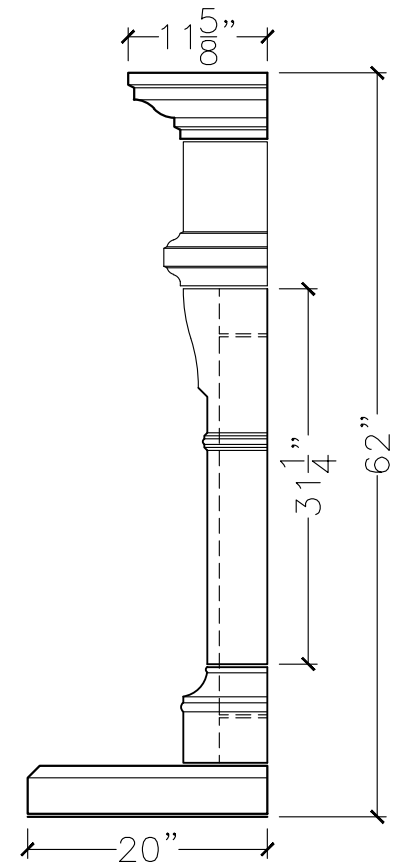


CUSTOMER:	
JOB:	MOLD: CFS-9600
BAY#: 26-A, 84, 101-A, 185, 285	STONE COLOR:
DATE:	SCALE: $\frac{3}{4}'' = 12''$ NEED:



FRONT VIEW



END VIEW