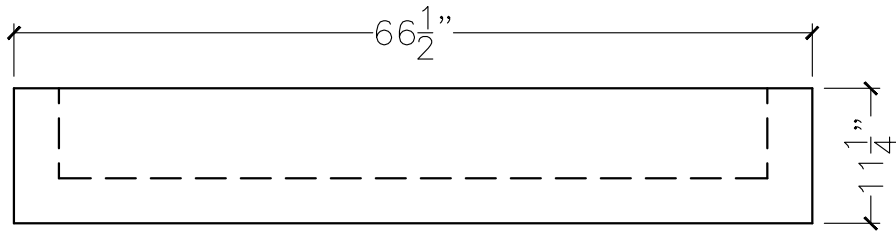
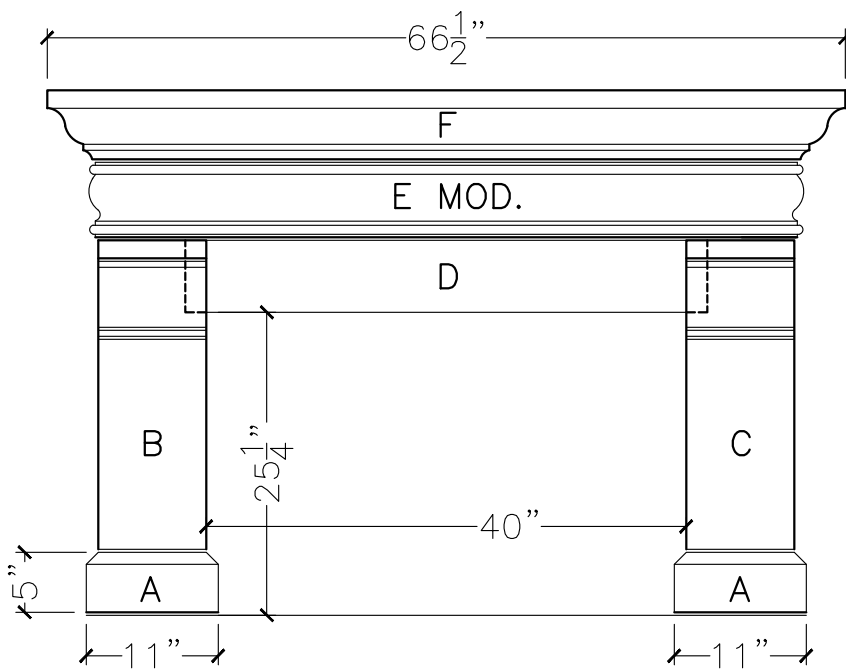


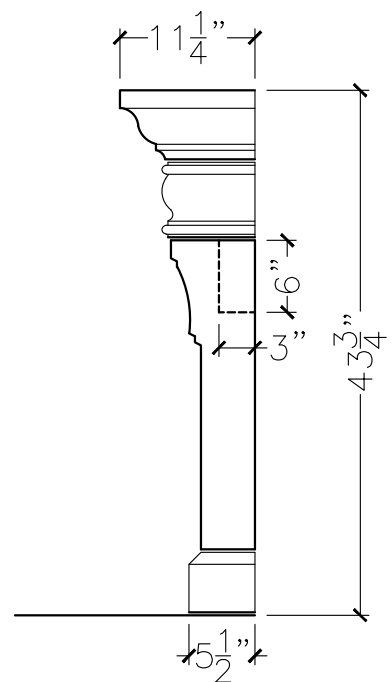
CUSTOMER:	
JOB:	MOLD: CFS-9400
BAY#: 73, 103, 266, 286	STONE COLOR:
DATE:	SCALE: $\frac{3}{4}'' = 12''$ NEED:



TOP VIEW



FRONT VIEW



END VIEW