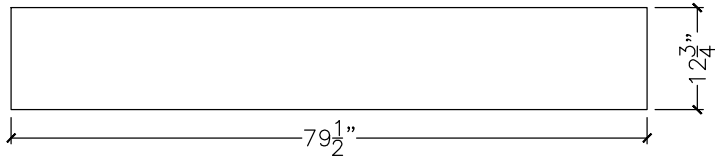
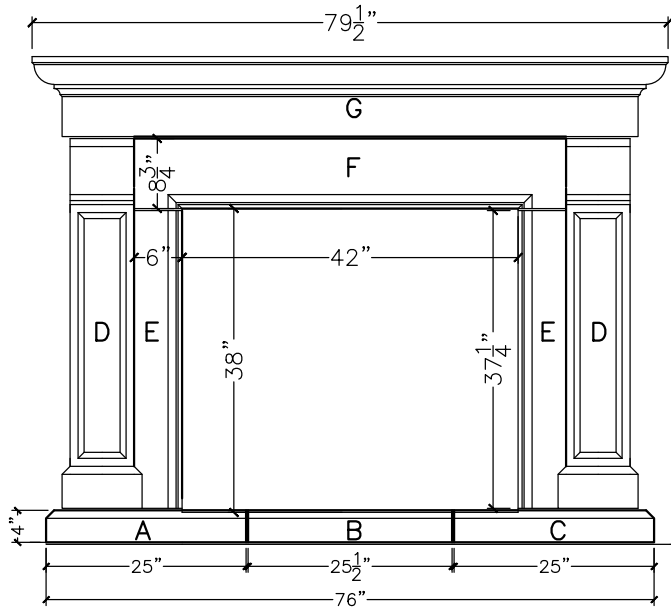


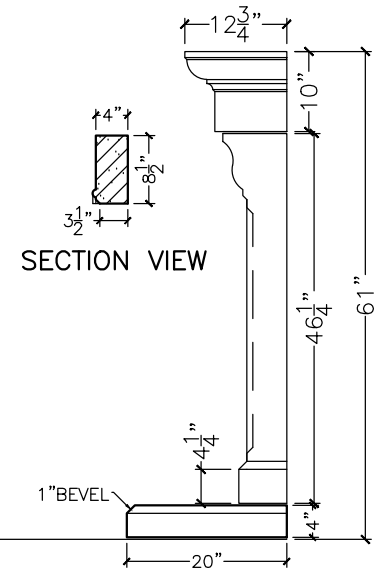
CUSTOMER:	
JOB:	MOLD: CFS-9000
BAY#: 289	STONE COLOR:
DATE:	SCALE: 1/2" = 12" NEED:



TOP VIEW



FRONT VIEW



END VIEW