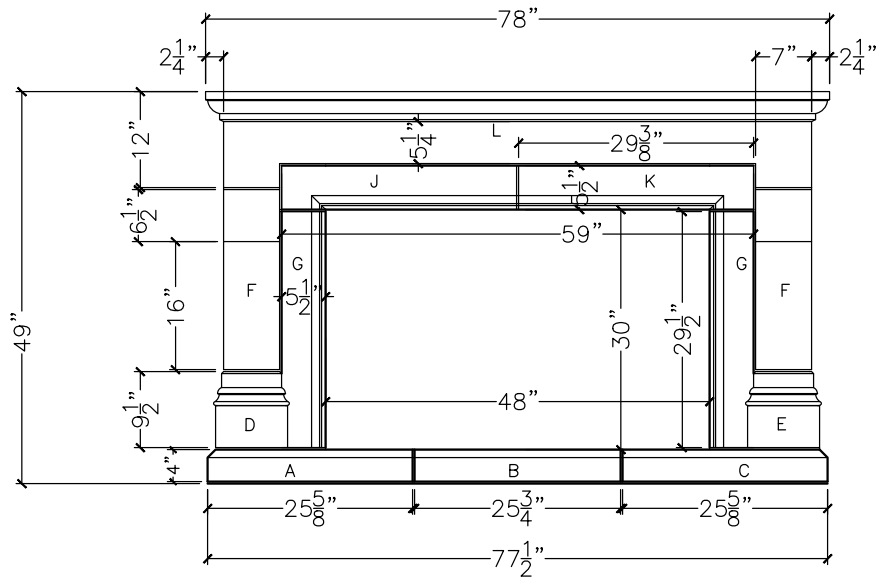
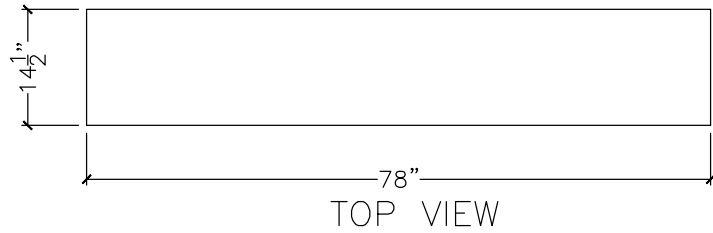
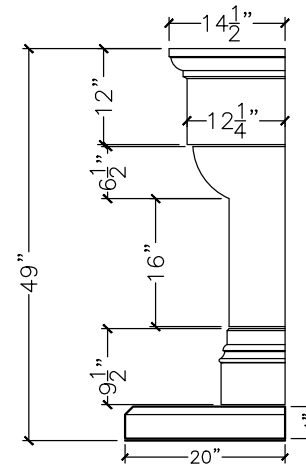


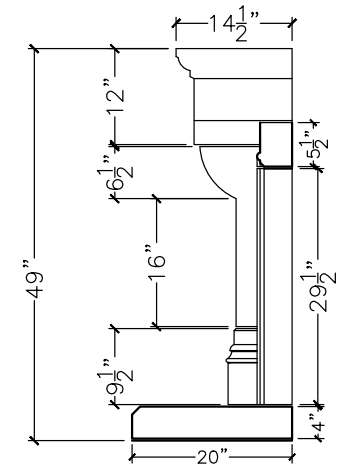
CUSTOMER:	
JOB:	MOLD: CFS-8900
BAY#: 294	STONE COLOR:
DATE:	SCALE: $\frac{1}{2}'' = 12''$ NEED:



FIREPLACE DETAIL



END VIEW



MIDDLE SECTION