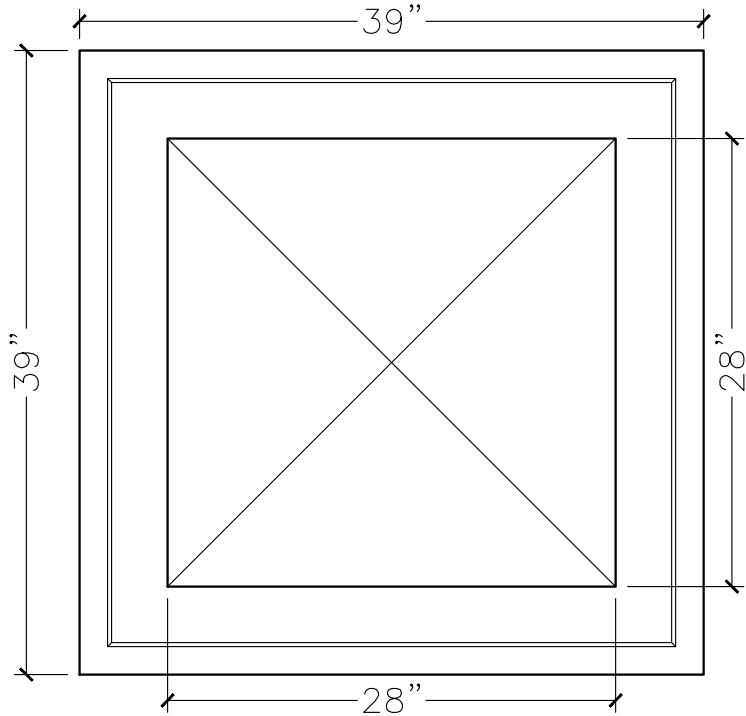
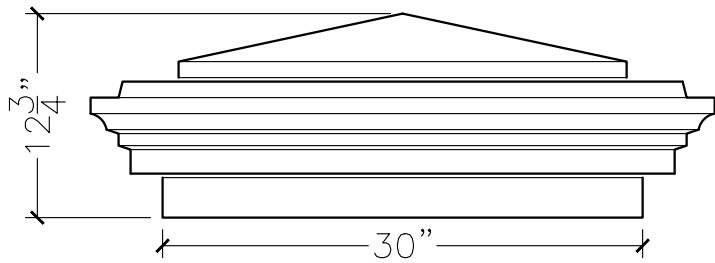


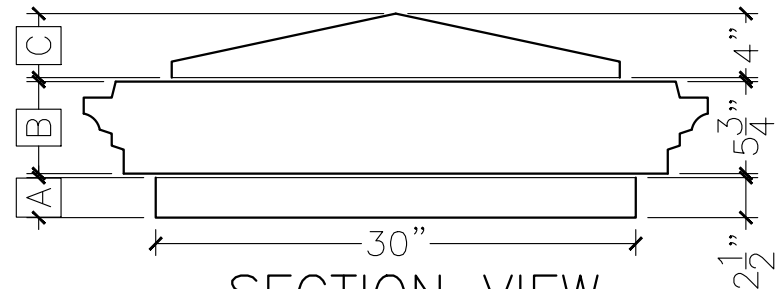
|             |  |               |       |
|-------------|--|---------------|-------|
| CUSTOMER:   |  |               |       |
| JOB:        |  | MOLD: CC-48   |       |
| BAY#: 113-B |  | STONE COLOR:  |       |
| DATE:       |  | SCALE: 1"=12" | NEED: |



TOP VIEW



FRONT VIEW



SECTION VIEW