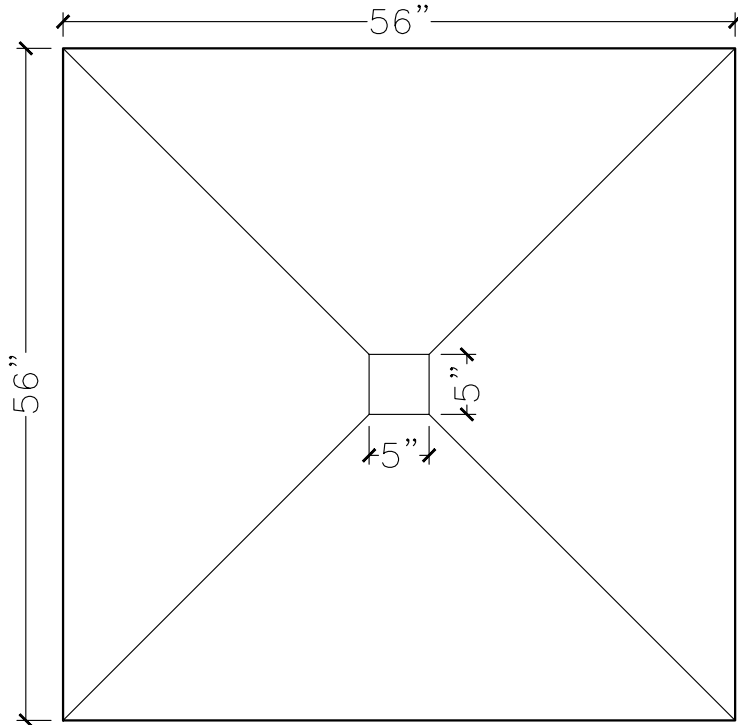
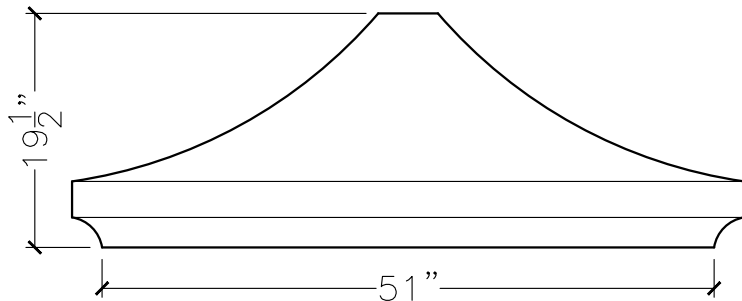


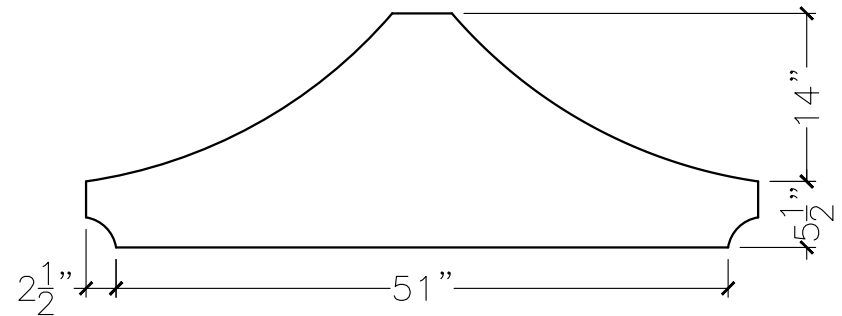
JOB:	MOLD: CC-140	
BAY# 69	STONE COLOR:	
DATE:	SCALE: $\frac{3}{4}'' = 12''$	NEED:



TOP VIEW



FRONT VIEW



SECTION VIEW