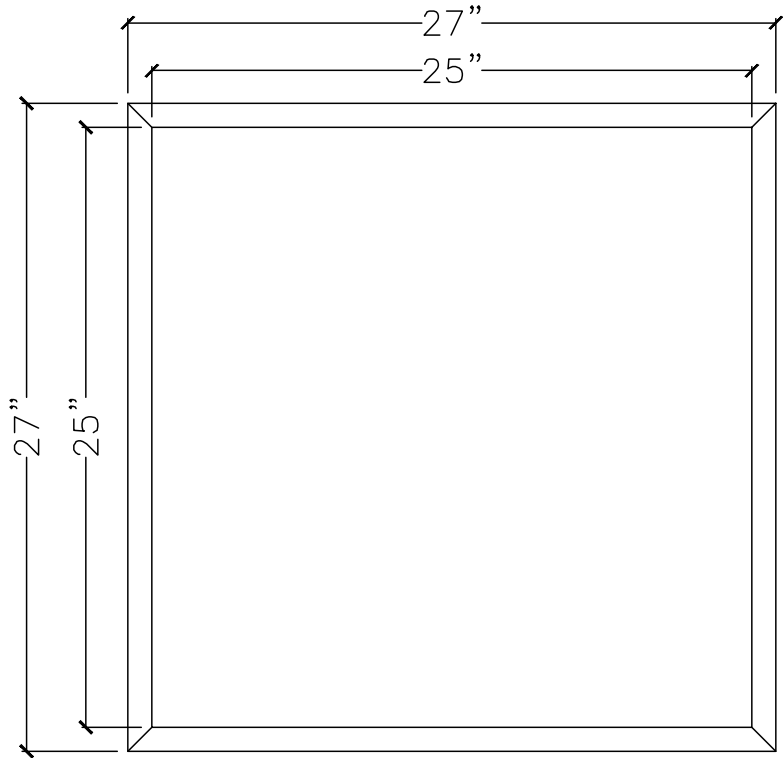
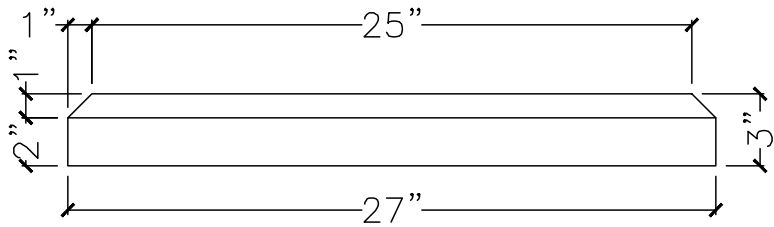


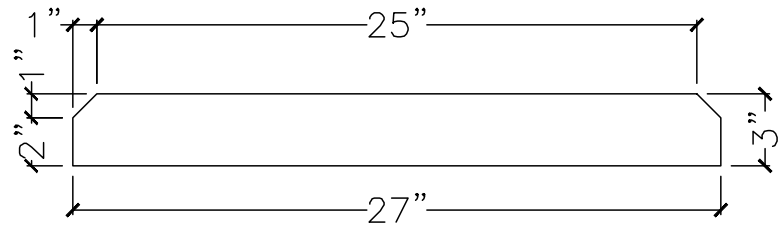
| | |
|-------------|--------------------------------------|
| CUSTOMER: | |
| JOB: | MOLD: CC-518 |
| BAY#: 269-A | STONE COLOR: |
| DATE: | SCALE: $1\frac{1}{2}'' = 12''$ NEED: |



TOP VIEW



FRONT VIEW



SECTION VIEW