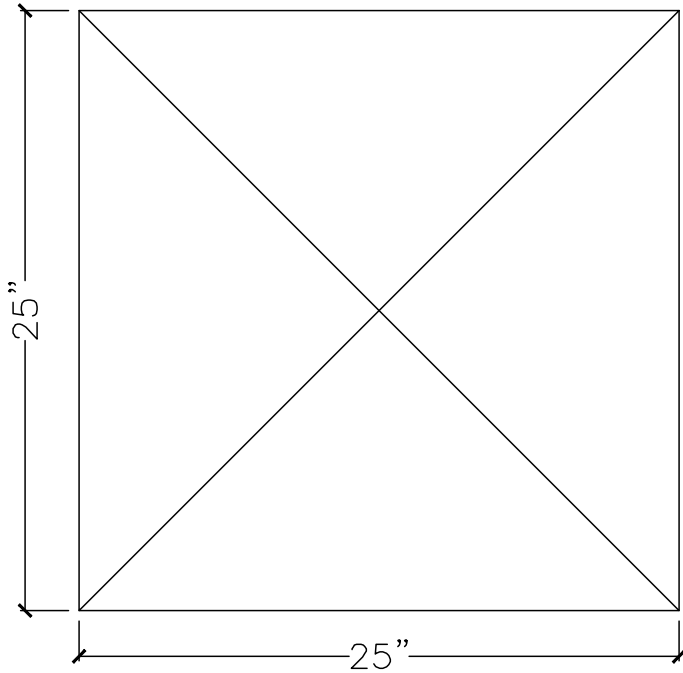
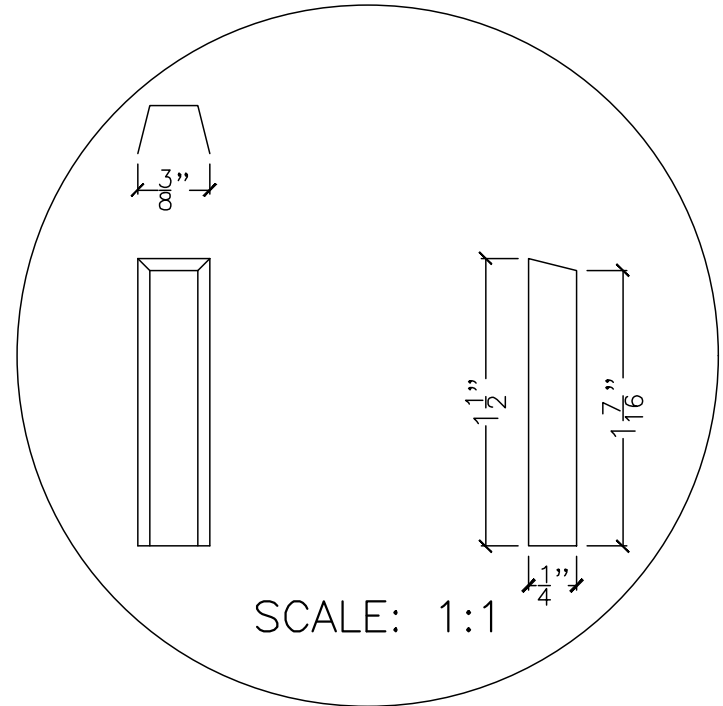


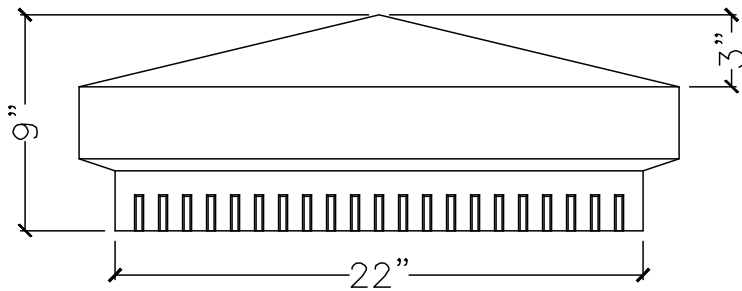
CUSTOMER:	
JOB:	MOLD: CC-453
BAY#: 259-A	STONE COLOR:
DATE:	SCALE: $1\frac{1}{2}'' = 12''$ NEED:



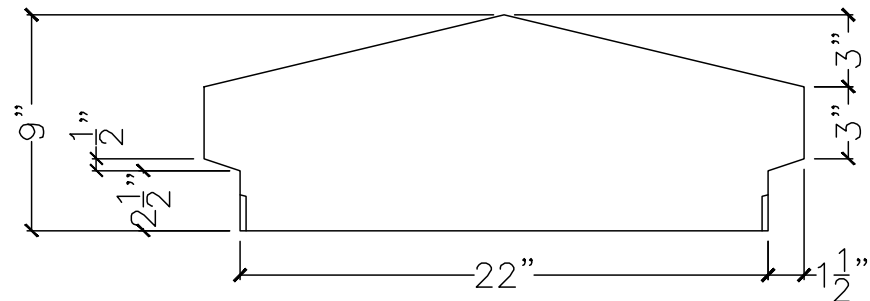
TOP VIEW



SCALE: 1:1



FRONT VIEW



SECTION VIEW