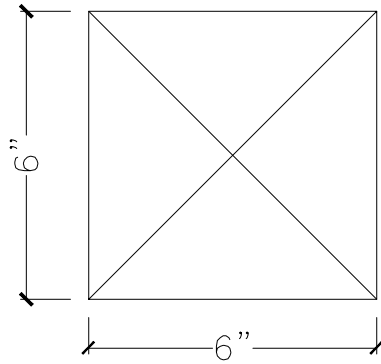
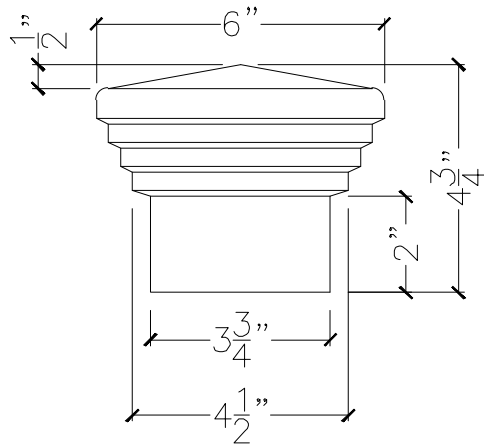


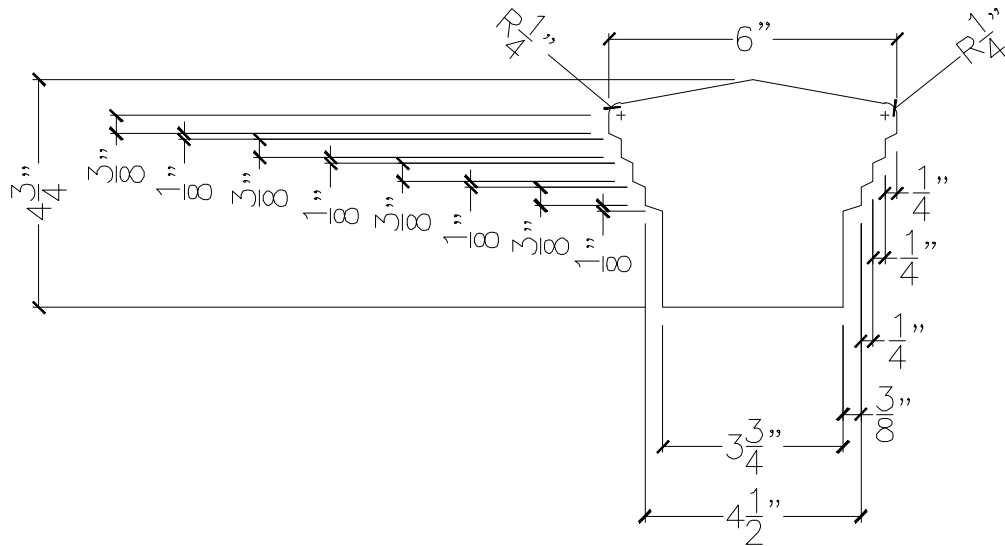
| | |
|-------------|---------------------|
| CUSTOMER: | |
| JOB: | MOLD: CC-439 |
| BAY#: 340-A | STONE COLOR: |
| DATE: | SCALE: 3"=12" NEED: |



TOP VIEW



FRONT VIEW



SECTION VIEW