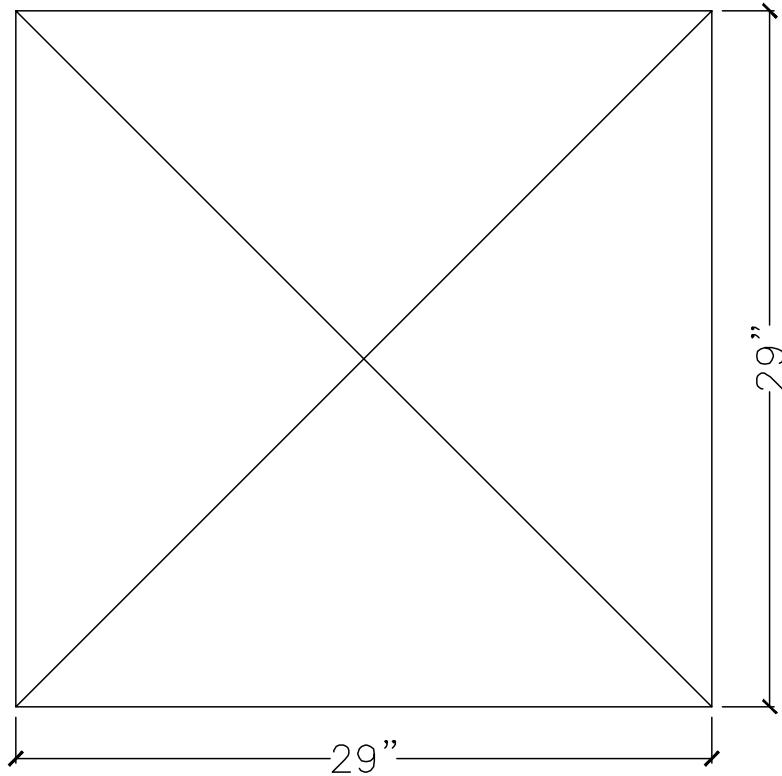
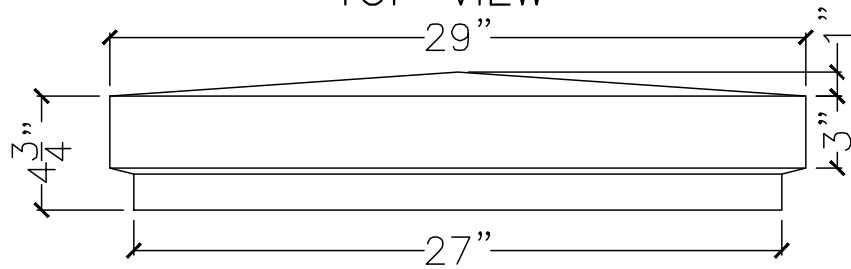


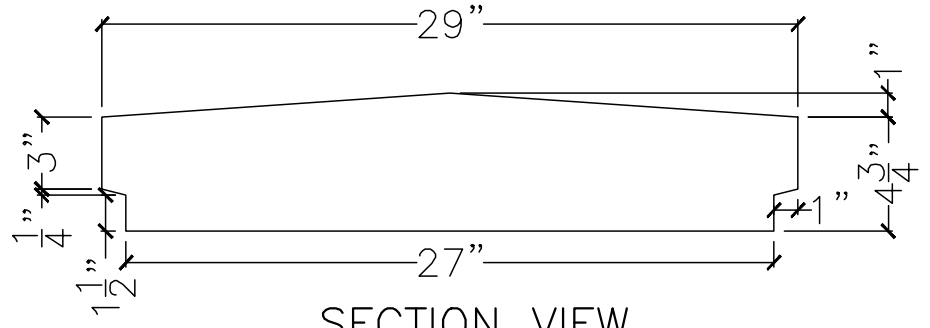
CUSTOMER:	
JOB:	MOLD: CC-433
BAY#: 165-A	STONE COLOR:
DATE:	SCALE: $1\frac{1}{2}" = 12"$ NEED:



TOP VIEW



FRONT VIEW



SECTION VIEW