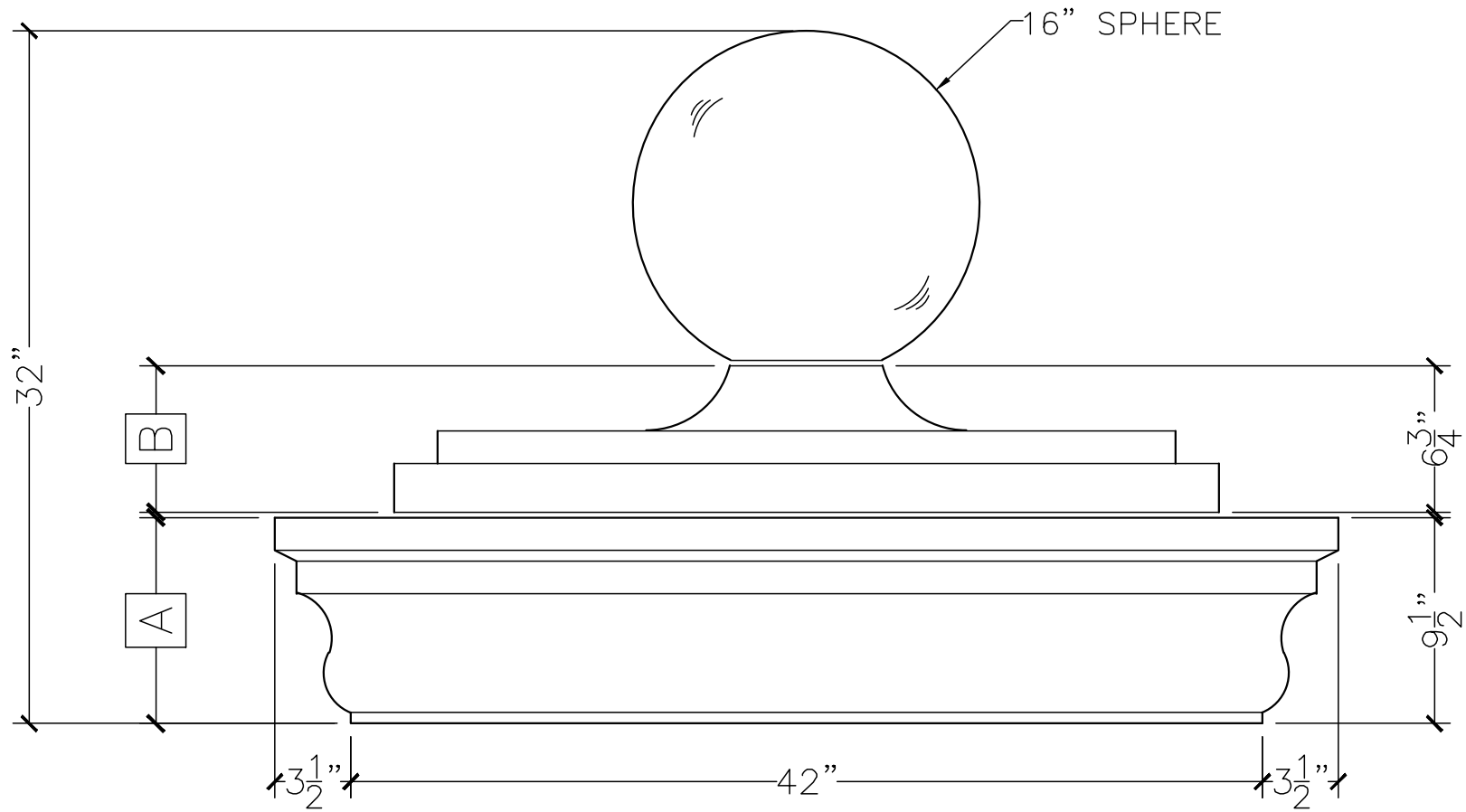


CUSTOMER:	
JOB:	MOLD: CC-428
BAY#: 60-B, 59-A, 146-A	STONE COLOR:
DATE:	SCALE: $1\frac{1}{2}'' = 12''$ NEED:



FRONT VIEW