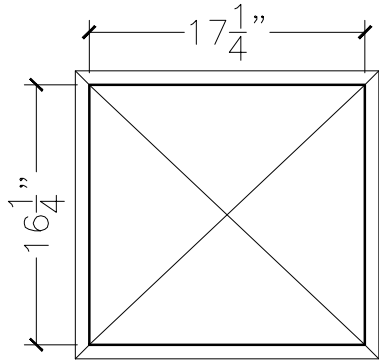
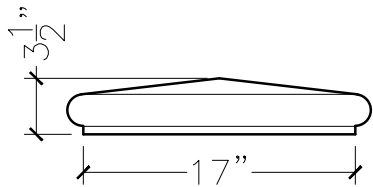


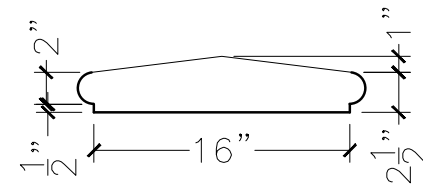
JOB:	MOLD: CC-396
BAY#: 271	STONE COLOR:
DATE:	SCALE: 1"=12"      NEED:



TOP VIEW



FRONT VIEW



SECTION VIEW