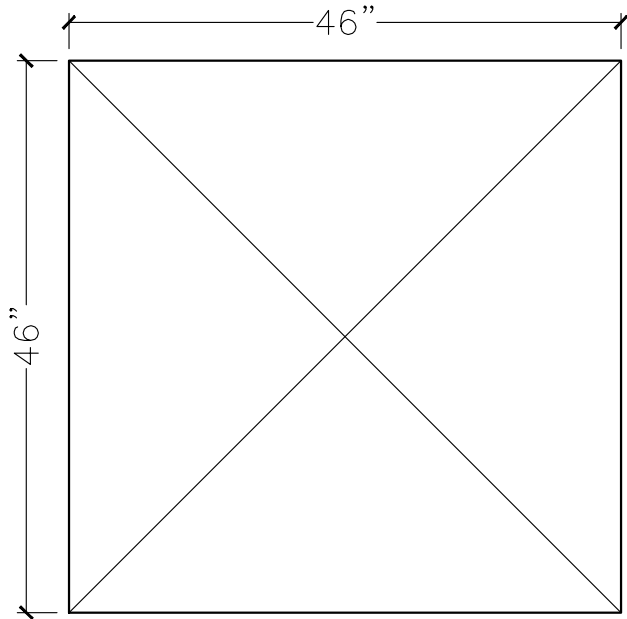
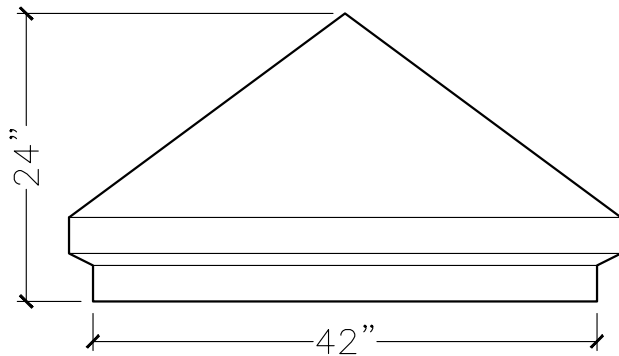


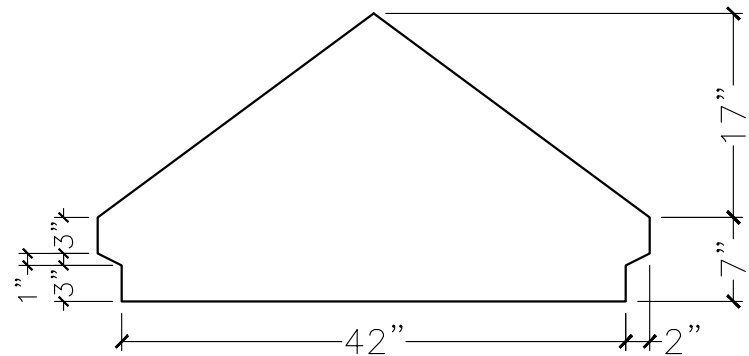
CUSTOMER:			
JOB:		MOLD: CC-392	
BAY#	STORAGE BUILDING	STONE COLOR:	
DATE:		SCALE: $\frac{3}{4}'' = 12''$	NEED:



TOP VIEW



FRONT VIEW



SECTION VIEW