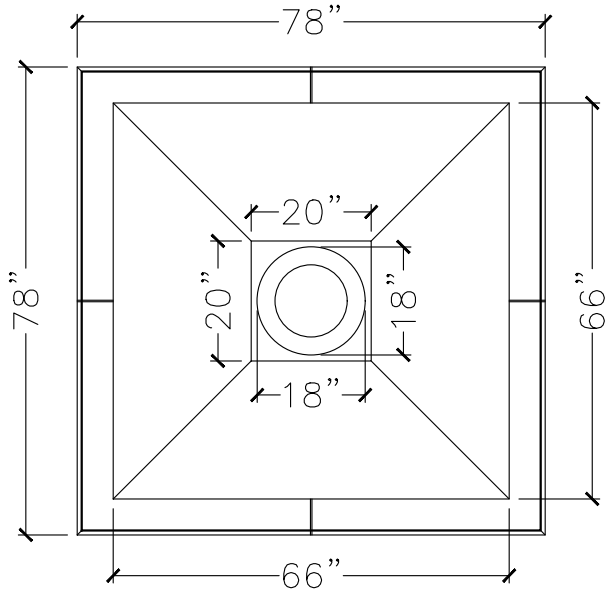
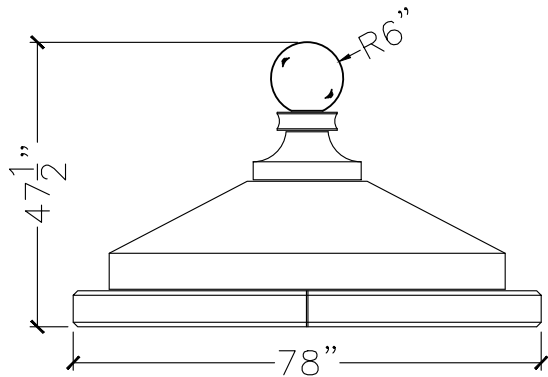


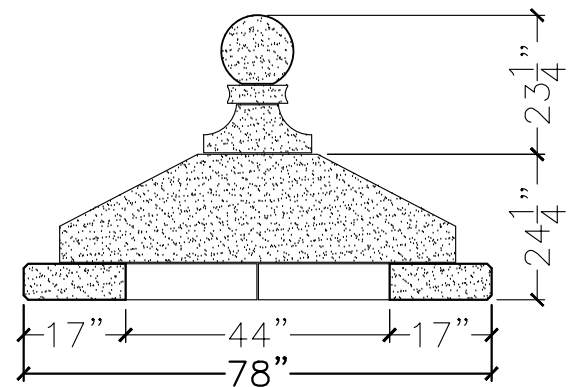
JOB:	MOLD: CC-390	
BAY#: STORAGE BUILDING	STONE COLOR:	
DATE:	SCALE: $\frac{3}{8}" = 12"$	NEED:



TOP VIEW



FRONT VIEW



SECTION VIEW