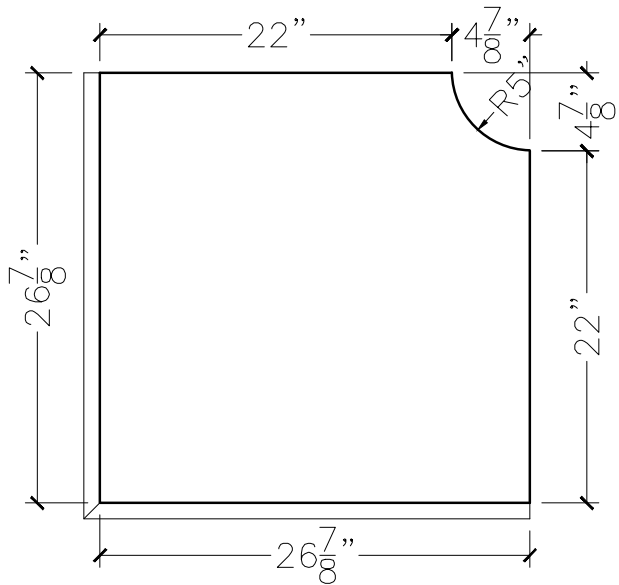
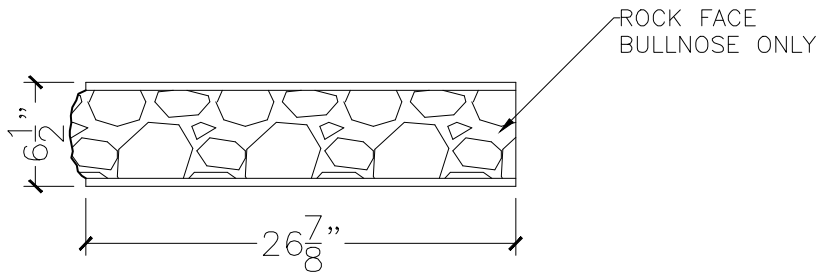


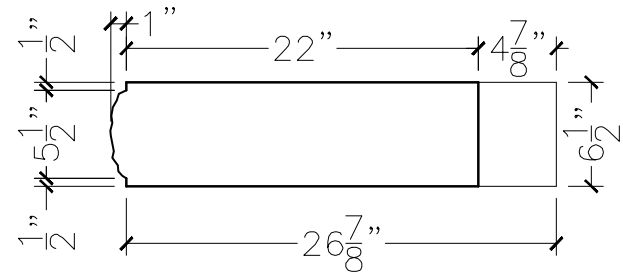
| | |
|------------|--------------------------|
| CUSTOMER: | |
| JOB: | MOLD: CC-387 |
| BAY#: 30-B | STONE COLOR: |
| DATE: | SCALE: 1"=12" NEED: |



TOP VIEW



FRONT VIEW



SIDE VIEW