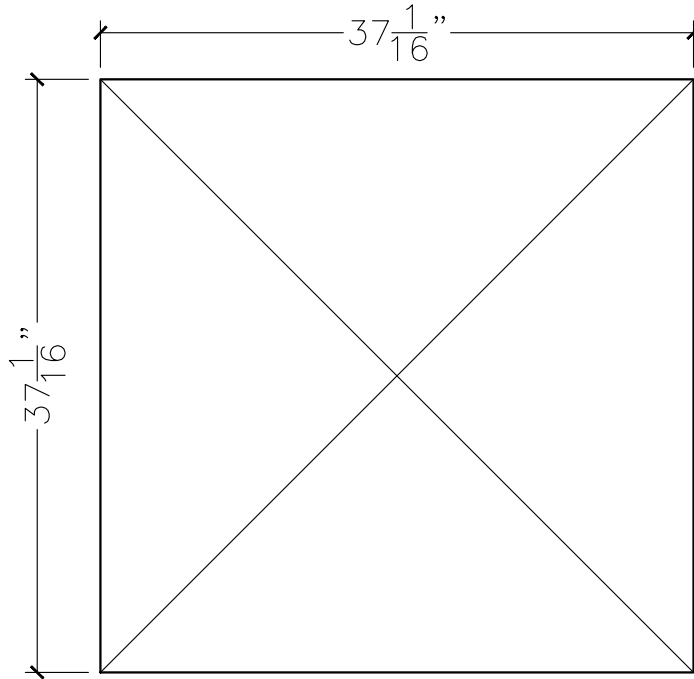
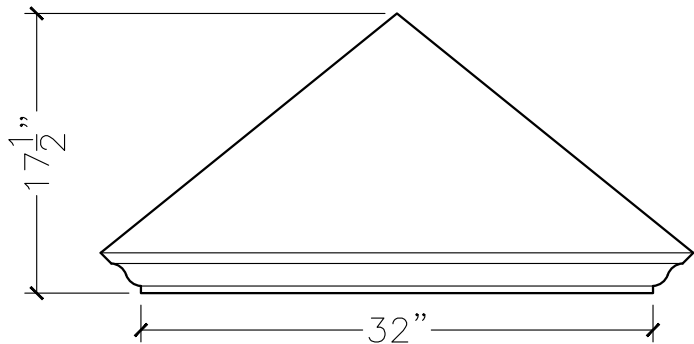


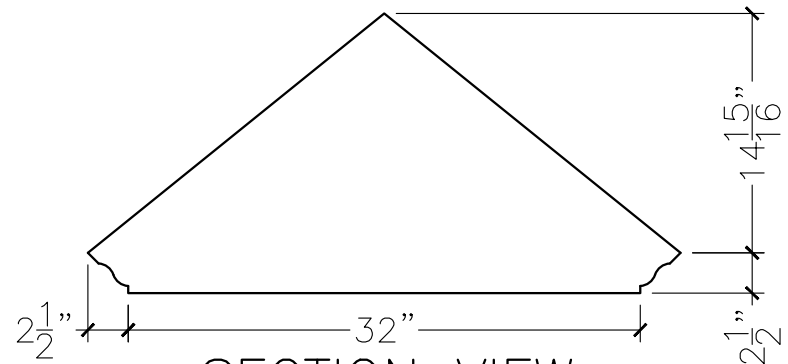
CUSTOMER:		
JOB:	MOLD: CC-368	
BAY#: 4-A	STONE COLOR:	
DATE:	SCALE: 1"=12"	NEED: .



TOP VIEW



FRONT VIEW



SECTION VIEW